

BEARING HOLDER

플러부

플라스틱
page
055 ~
068

39 L P55		39x56x17	60 L P55		M-60x49.5x25		M-63x43x25		64x70x25	70 L P56		70x40x14	80 L P56		80x46.5x18		80x48.5x18		80x51.5x18-1												
	80x51.5x18-2		80x52.7x18		80x106x18		85x46.5x18	90 L P59		M-90x50.5x18		90x53.5x18	M90x63x20		100 L P60		100x47x18		100x49x18		100x52x20										
	100x52.7x18		100x53x18	M100x66.5x18	150 L P62		150x34.5x18		150x30x18		150x28.5x18		150x26.5x18		150x42x15		150x46x18		150x24x19		150x47x18										
	150x51x18		150x24x22.5	165 L P64		200 L P64		200x14.5x49.5		197.5x8.5x3.55		200x34.5x18		200x30x18		200x37.5x18		200x26.5x18		200x28.5x18		200x46.5x18		200x47x18	SHIFT						
	200x47x18 SJ		200x42x15		200x21x15		200x46x18		200x24x19		200x51x18		200x24x22.5		200x52x20	206 L P67		206x45x21	240 L P68		240x42x15		240x21x15		240x46x18		240x24x19		240x58x15		240x21x15

AL 캐스팅
page
069 ~
075

70 L P69		70x55x18	80 L P69		80x53.5x18	90 L P69		90x31x18T	90x31x18T	D90x63x20	100 L P70		100x41x14	100x47x18	112x61x22 OPEN						
	112x61x22 CLOSE		112x90x37.5	120 L P72		120-1		120-2	150 L P73		150x34.5x18		150x30x18	180 L P73		180x158x30					
200 L P74		200x34.5x18		200x30x18		200x37.5x18		200x26.5x18		200x28.5x18		200x47x18		200x51x18		200x24x22.5	240 L P75		240x34.5x18		240x30x18

구멍부

플라스틱
page
076 ~
078

EBH-AB10-01		EBH-AB10-02		EBH-AB10-03		31x38.2x40 31x21.5x9.5		38x38.2x40 38x17x11		S6000		85.5x60x106	
-------------	--	-------------	--	-------------	--	---------------------------	--	------------------------	--	-------	--	-------------	--

AL 캐스팅
page
078 ~
083

40x25.2x25 40x28x11		44x39x44.76		50x30x27 50x29.7x11		50x31.2x27 50x30.9x27, 50x36x11		53.5x33x29.7 53.5x41x17		54x33x55		54x33x65			
55x54x25		56.5x37x30.7 56.5x37x33.3, 56.5x42.7x20		58x37x53 L / R		58x55.7x33		D59x61x33		60x33x30.7 60x42.7x16		60x33x59.7		60x36x28.7 60x46x20	

베어링
인서트
사출품
page
083 ~
084

44x44.5x32		44x45.2x32		44x46.6x32	
------------	--	------------	--	------------	--

기타

반송
부
page
084 ~
084

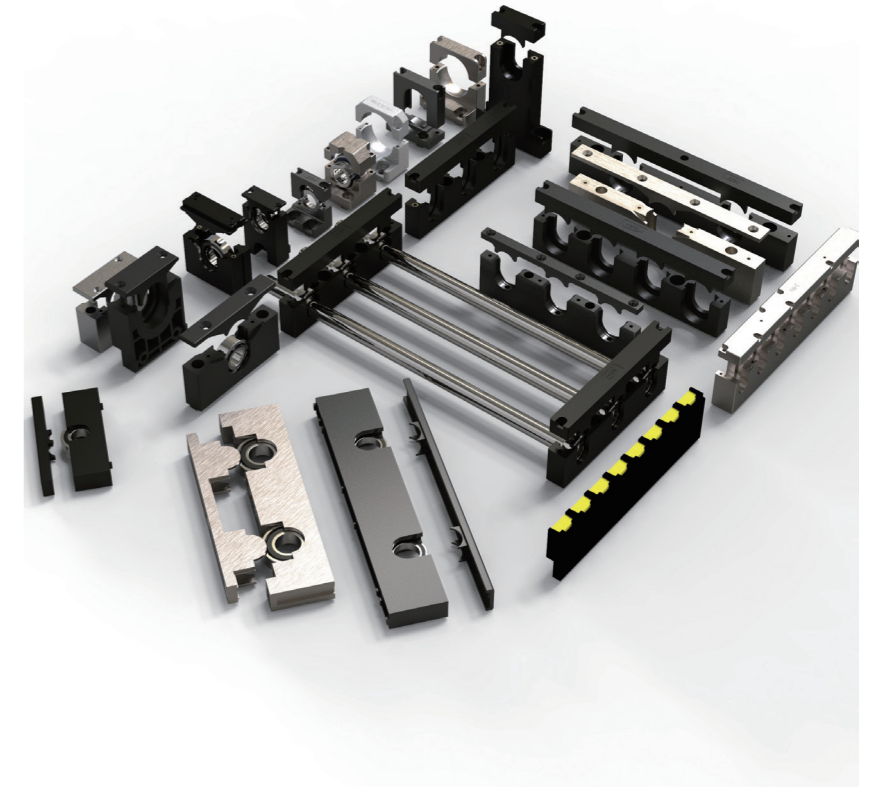
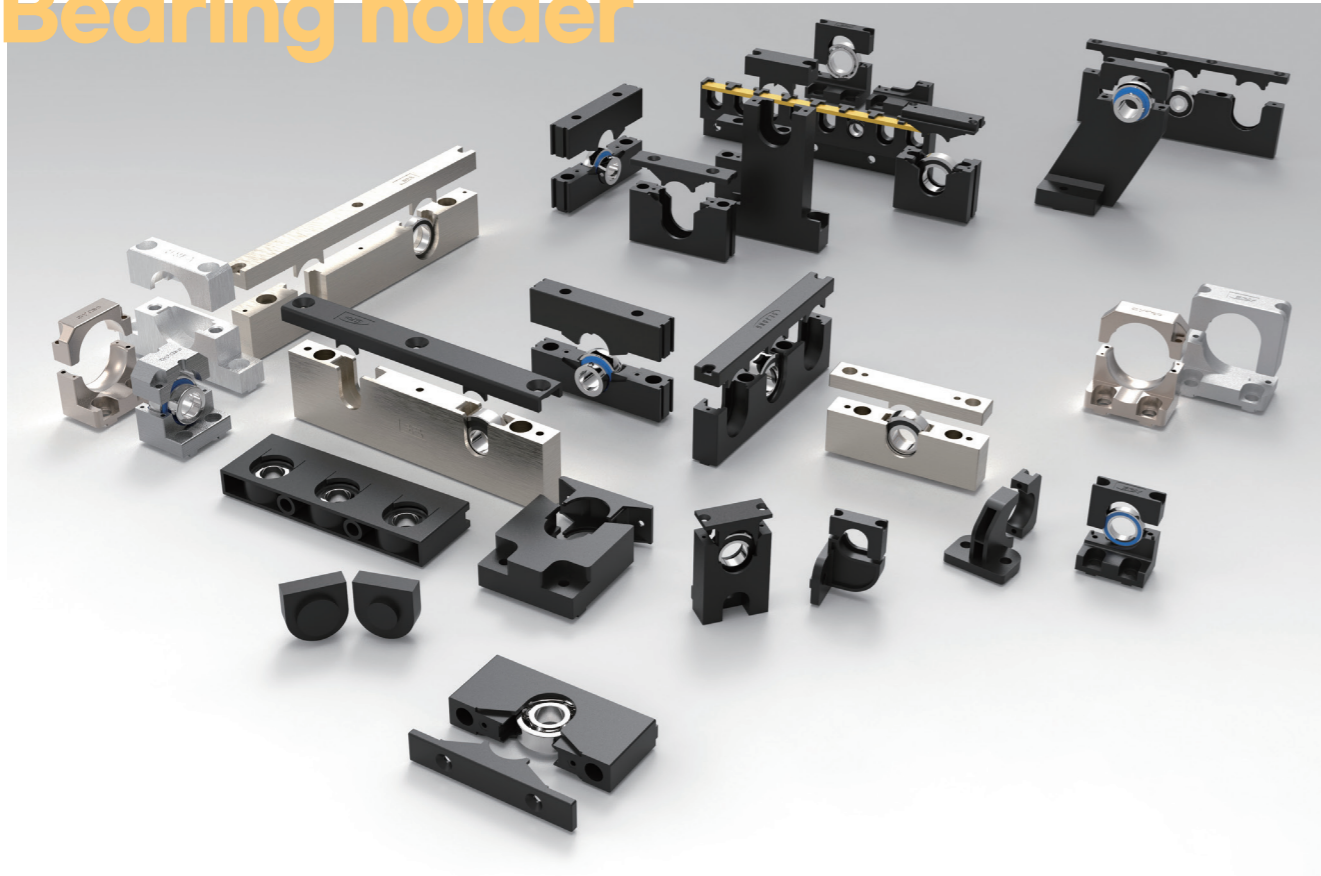
D 180x158x30		캡 page 084 ~ 084		BEARING page 085 ~ 085		35x18x35(Ø17) EC 32x9.5, 37x9.5 35x18x35(Ø18)
--------------	--	---------------------------	--	---------------------------------	--	---

BEARING page 085 ~ 085		베어링 규격		BEARING page 085 ~ 086	
---------------------------------	--	--------	--	---------------------------------	--

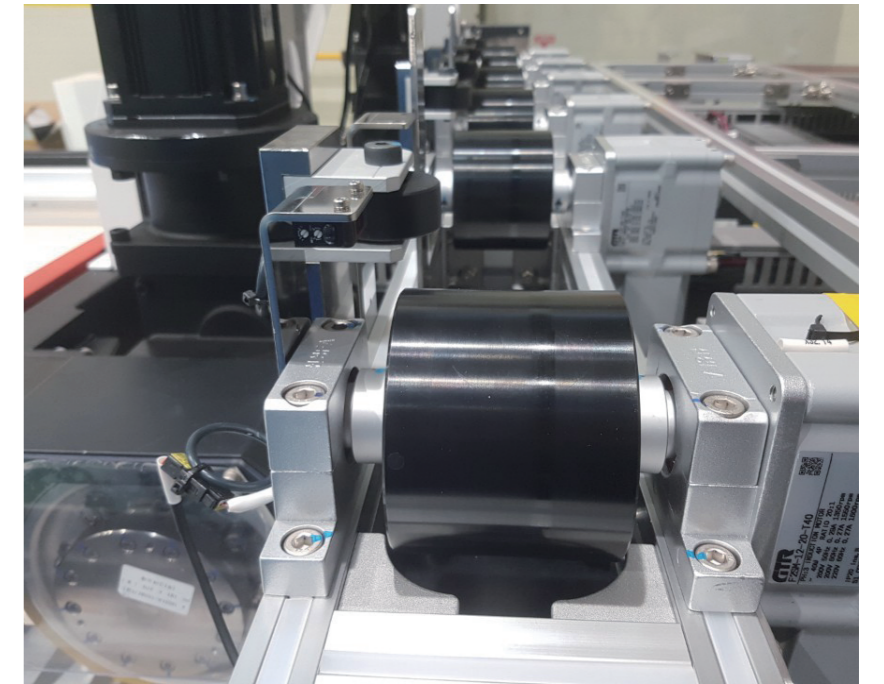
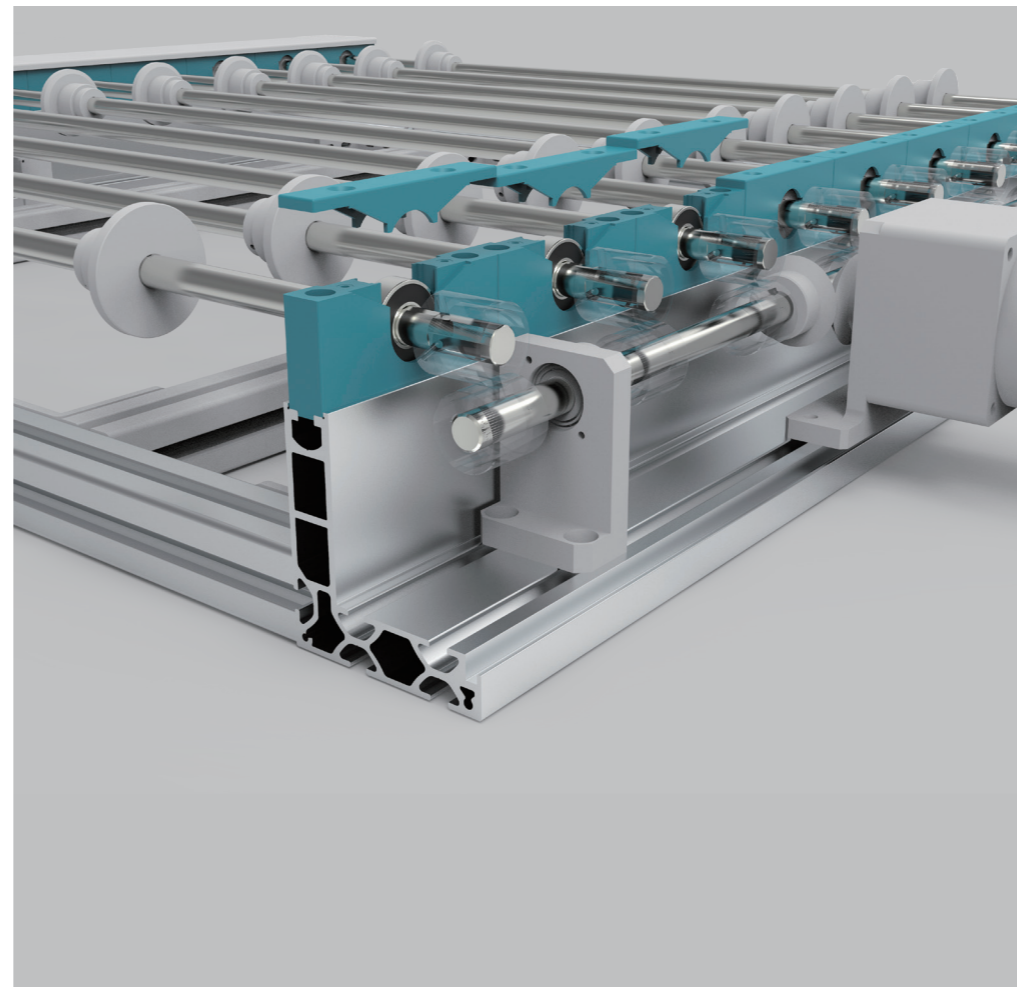
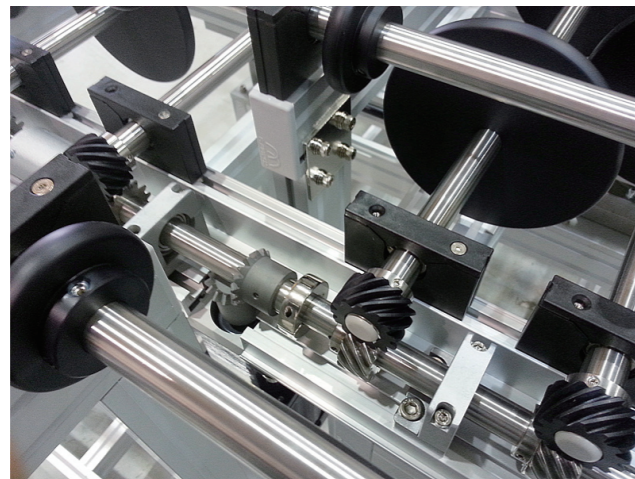
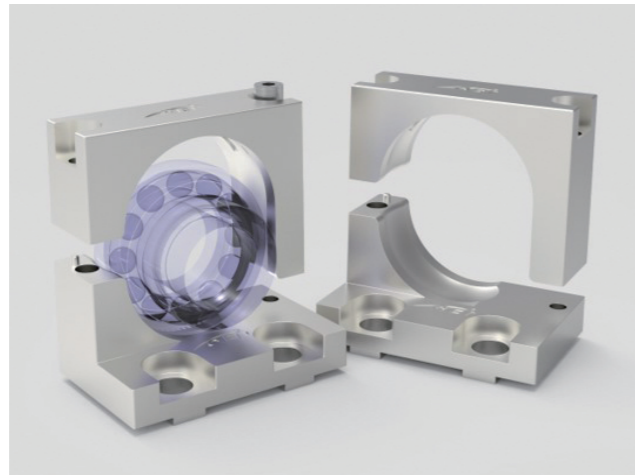
BEARING page 085 ~ 086		BEARING	
---------------------------------	--	---------	--

Bearing Housing

Bearing holder



제공되는 베어링 홀더는 최고 품질의 원료 및 정교한 기술을 사용하여 제조된 것으로 내구성 및 최적의 기능을 발휘하도록 설계되었습니다. 베어링을 정교하게 유지하기 쉽게 설계에 반영하여 다양한 요구를 충족하고 경제적인 베어링 유닛 교체와 함께 다양한 크기와 디자인, 다양한 소재로 선택의 폭을 넓혀 줄 것입니다.



최고품질의 원료
다양한 크기와
디자인으로
경제적인 베어링
유닛 교체



롤러부

YKBH-M, D Series(사출)

제품 특징 FEATURES

- 고정밀도
- 무전해, 대전방지
- 유지보수 용이성
- 진동 및 내부식성에 강함

적용 범위 APPLICATION

- 디스플레이용 장비
- 2차전지용 장비



2d, 3d 및 상세한 내용은 홈페이지(www.yktec.co.kr) 참조

Bearing Housing Ordering Code

EXAMPLE

YKBH - MAB 100 - 2SA

SA: 대전방지set SE: 무전해set
C: cover E: electroless
B: block A: antistatic

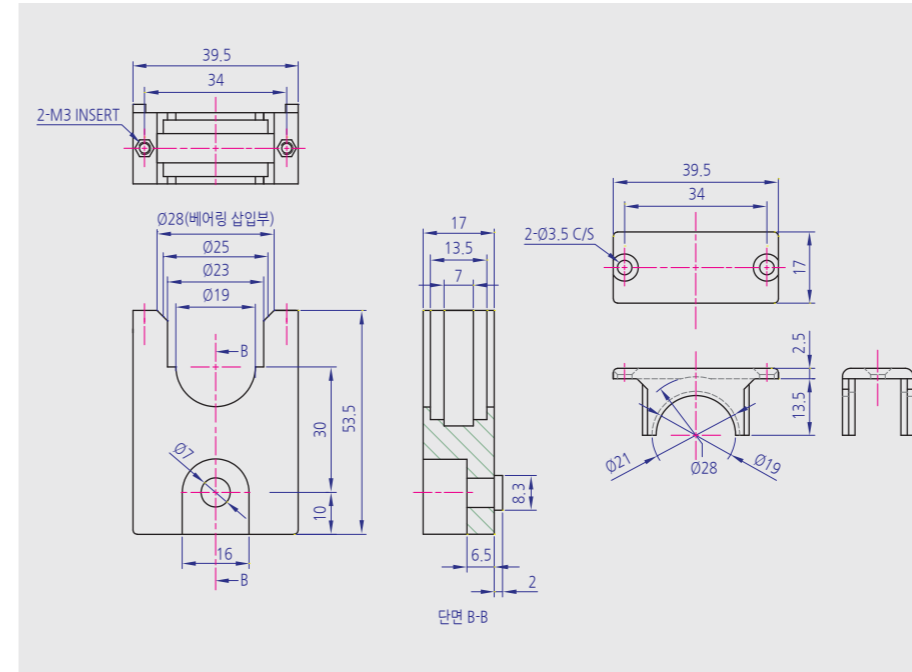
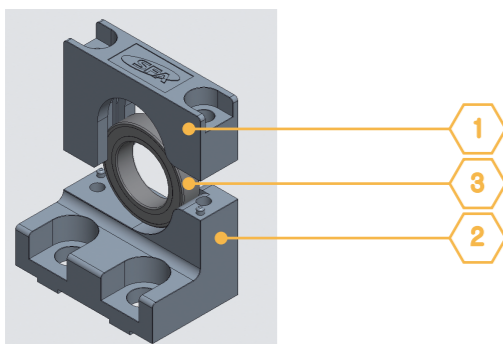
Serial Number

Material / AB: Auto Balance

Yeung Kwang Bearing holder

재질 MATERIAL & TREATMENT INFORMATION

No.	재질	색상
1 cap	ABS/Nyion	Black/Silver/Natural/NI/Antstatic
	PC Alloy/Aldc	Electroless/Teflon Coting
2 Body	ABS/Nyion	Black/Silver/Natural/NI/Antstatic
	PC Alloy/Aldc	Electroless/Teflon Coting
3 Bearing		



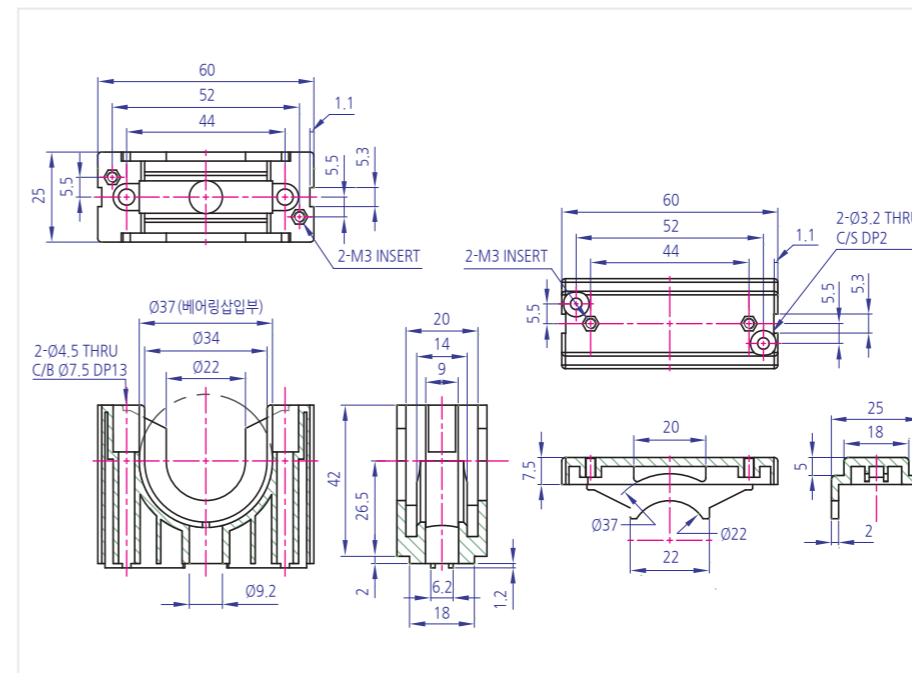
BEARING HOLDER-사출
YKBH-39x56x17



커버 Code : YKBH-M39-1CA
블럭 Code : YKBH-M39-1BA

Technical data

- 대전방지
- NATURAL
- 베어링고정용(사출)
- 6902



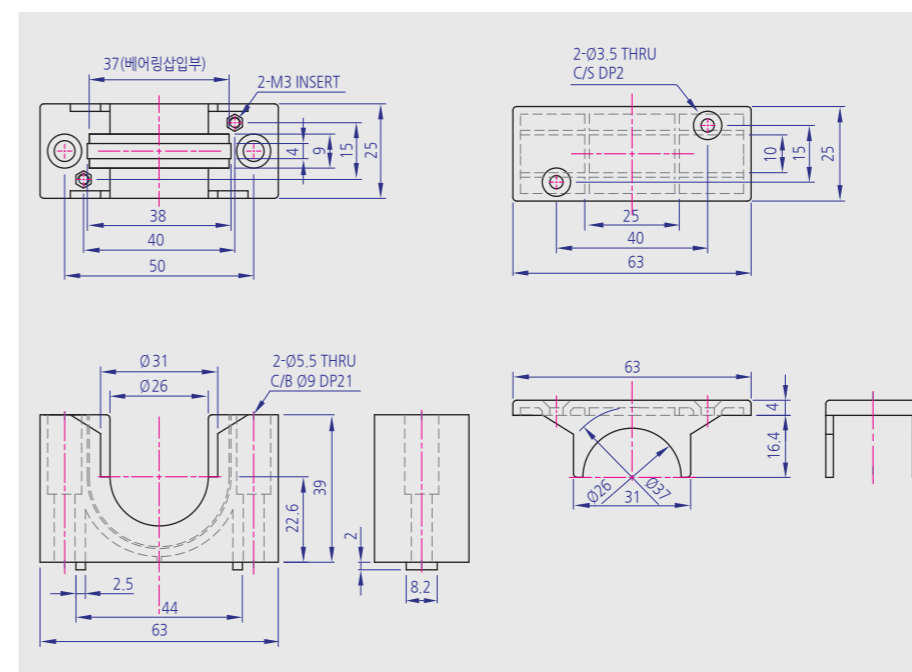
BEARING HOLDER-사출
YKBH-M-60x49.5x25



커버 Code : YKBH-M60-1CA
YKBH-M60-1BA

Technical data

- 대전방지
- NATURAL
- 베어링고정용(사출)
- 6904



BEARING HOLDER-사출
YKBH-M-63x43x25



커버 Code : YKBH-M63-1CA
블럭 Code : YKBH-M63-1BA

Technical data

- 대전방지
- NATURAL
- 베어링고정용(사출)
- 6904

Roller
Bearing Holder
Motor Base
Bracket MultiBlock
Joint
Hinge
Magnet
Handle
Base
방진구
Leveling
Cover
End Cap
Bolt
Nut
Washer
Special
Profile
Caster

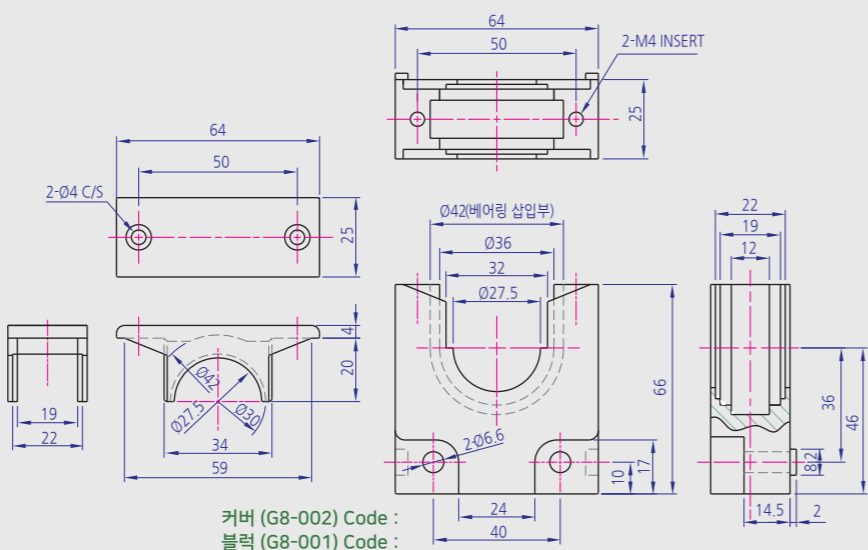
BEARING HOLDER-사출
YKBH-64x70x25



YKBH-M64-1CA
YKBH-M64-1BA

Technical data

- 대전방지
- NATURAL
- 자동조심용(사출)
- 6004



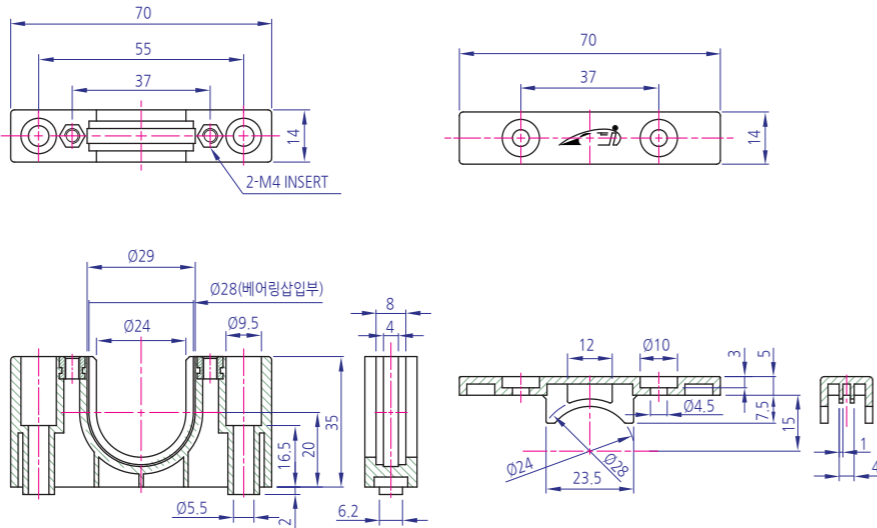
BEARING HOLDER-사출
YKBH-70x40x14



커버 Code : YKBH-M70CA
블럭 Code : YKBH-M70-1BA

Technical data

- 대전방지
- NATURAL
- 베어링고정용(사출)
- 6001



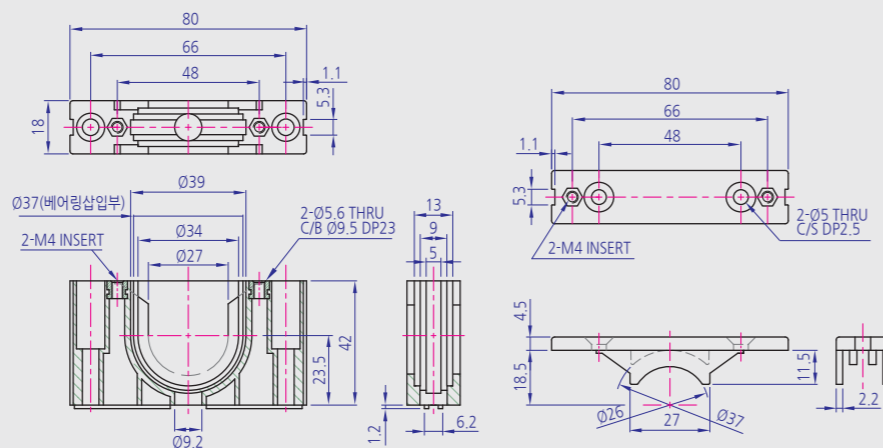
BEARING HOLDER-사출
YKBH-80x46.5x18



커버 Code : YKBH-M80-1CA
블럭 Code : YKBH-M80-1BA

Technical data

- 대전방지
- NATURAL
- 베어링고정용(사출)
- 6904



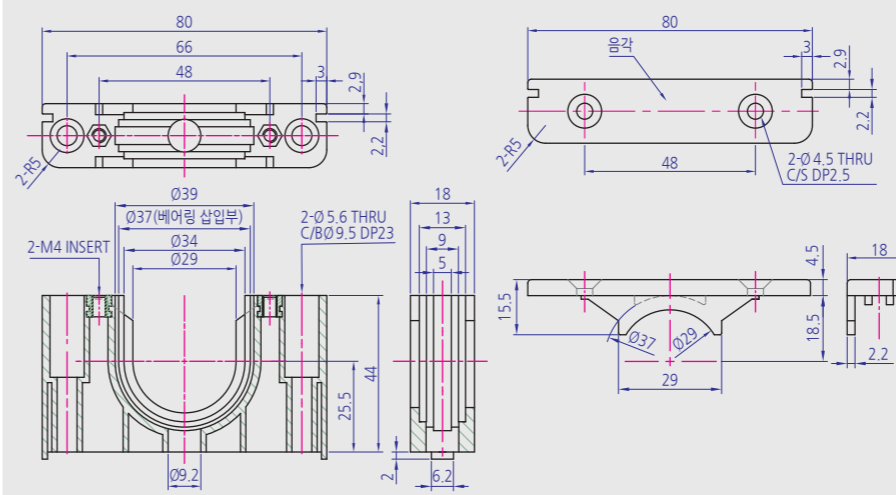
BEARING HOLDER-사출
YKBH-80x48.5x18



커버 Code : YKBH-M80-2CA
블럭 Code : YKBH-M80BA

Technical data

- 대전방지
- NATURAL
- 베어링고정용(사출)
- 6904



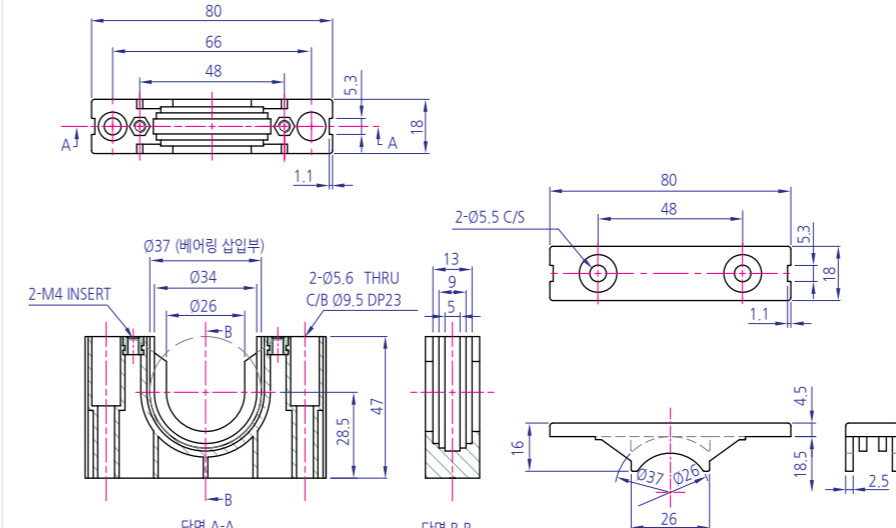
BEARING HOLDER-사출
YKBH-80x51.5x18-1



커버 Code : YKBH-M80-3CAA
YKBH-M80-3BA

Technical data

- 대전방지
- NATURAL
- 베어링고정용(사출)
- 6904



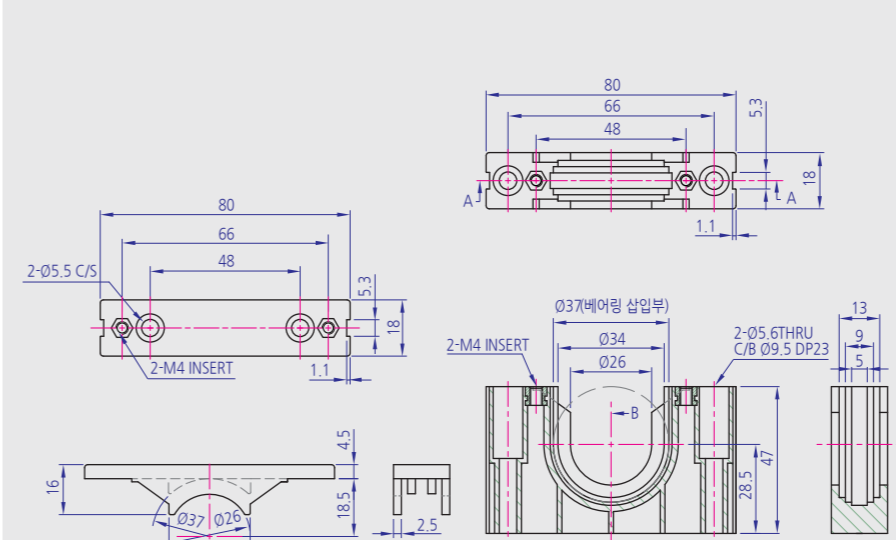
BEARING HOLDER-사출
YKBH-80x51.5x18-2



커버 Code : YKBH-M80-3CBA
블럭 Code : YKBH-M80-3BA

Technical data

- 대전방지
- NATURAL
- 베어링고정용(사출)
- 6904



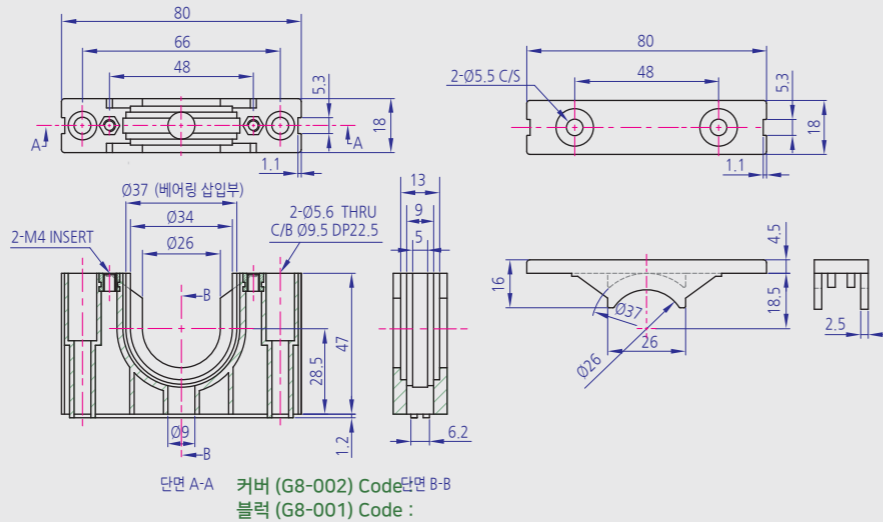
BEARING HOLDER-사출
YKBH-80x52.7x18



YKBH-M80-4CA
YKBH-M80-4BAA

Technical data

- 대전방지
- NATURAL
- 베어링고정용(사출)
- 6904



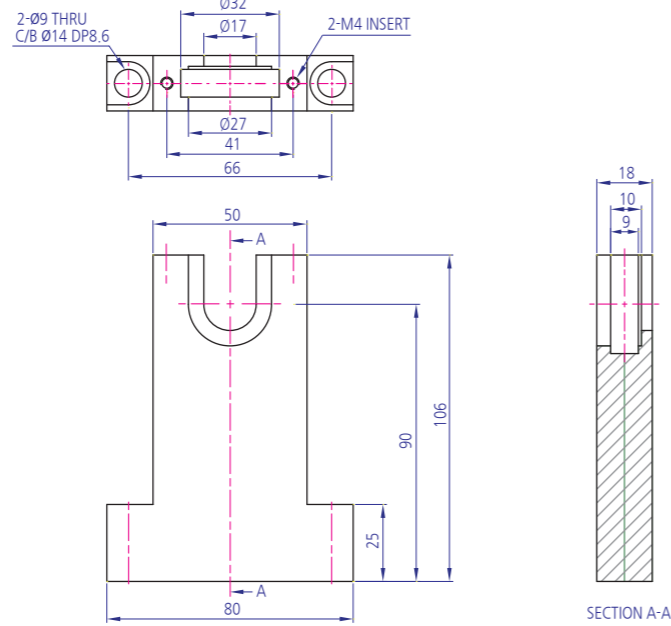
BEARING HOLDER-사출
YKBH-80x106x18



커버 Code : YKBH-M50-5C
블럭 Code : YKBH-M80-5B

Technical data

- PC ALLOY
- NATURAL
- 베어링고정용(사출)
- 6002



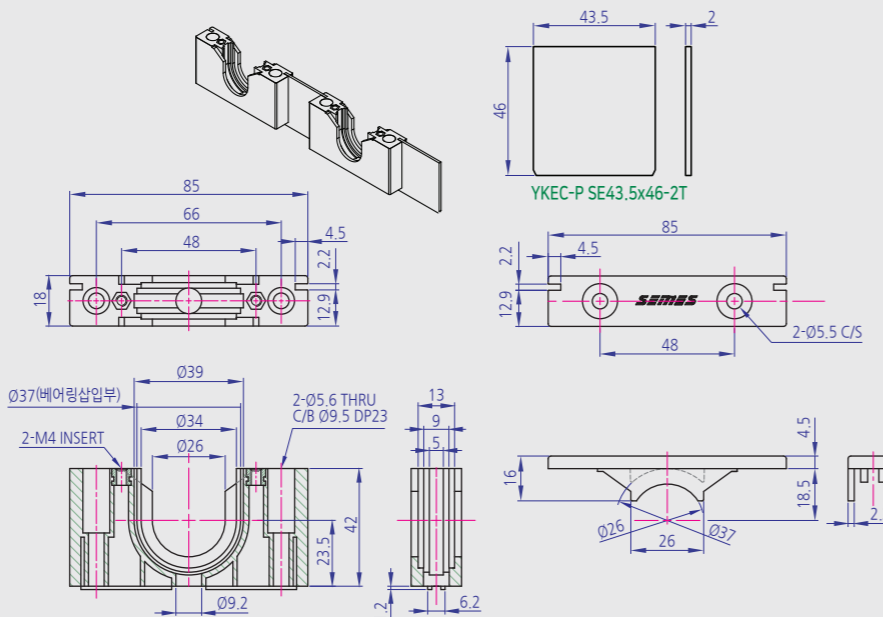
BEARING HOLDER-사출
YKBH-85x46.5x18



커버 Code : YKBH-M85-1CA
블럭 Code : YKBH-M85-1BA

Technical data

- 대전방지
- NATURAL
- 베어링고정용(사출)
- 6904



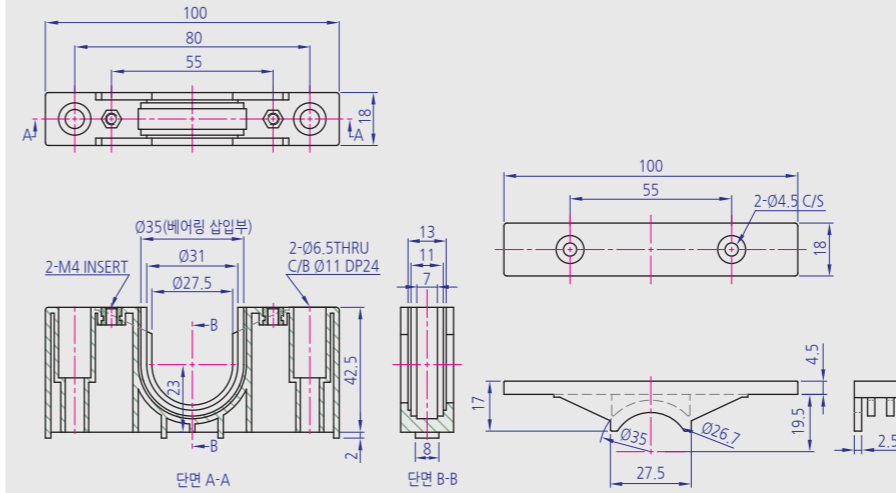
BEARING HOLDER-사출
YKBH-M-90x50.5x18-MID



커버 Code : YKBH-MAB90-1CA
블럭 Code : YKBH-MAB90-1BA

Technical data

- 대전방지
- NATURAL
- 베어링고정용(사출)
- MU002



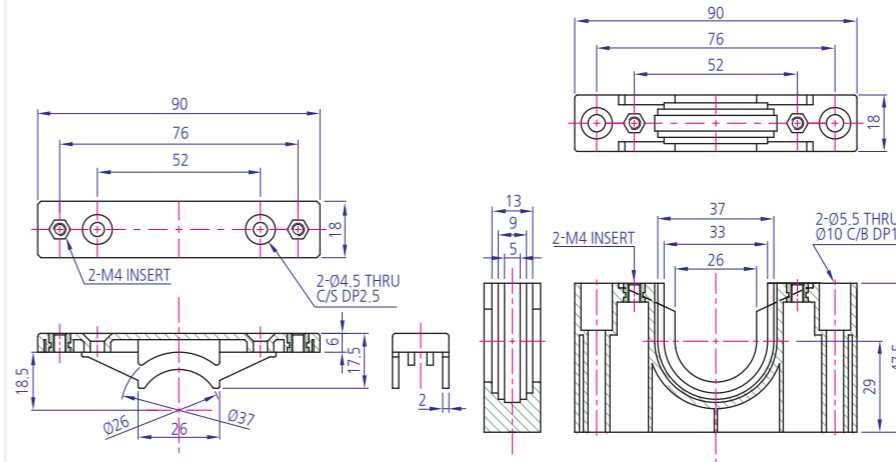
BEARING HOLDER-사출
YKBH-90x53.5x18



커버 Code : YKBH-M90-1CA
YKBH-M90-1BA

Technical data

- 대전방지
- NATURAL
- 베어링고정용(사출)
- 6904



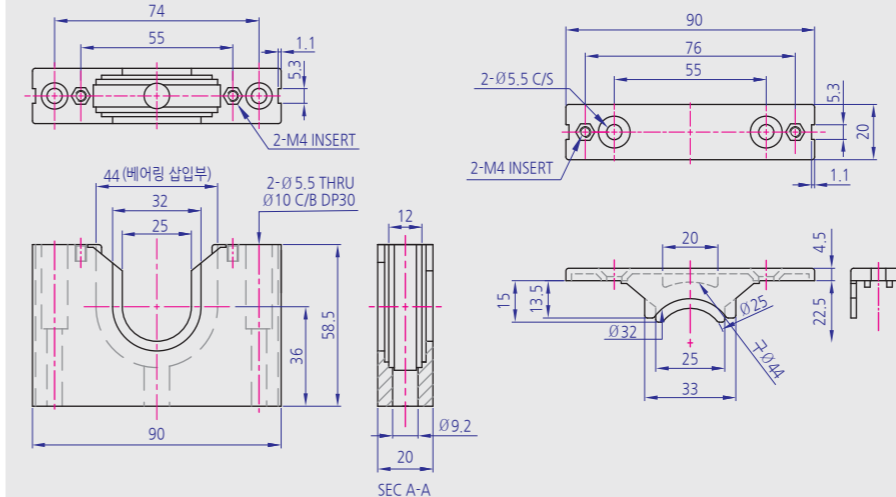
BEARING HOLDER-사출
YKBH-M90x63x20



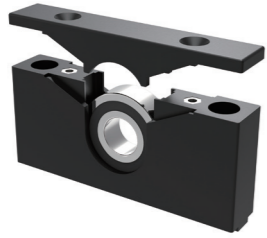
커버 Code : YKBH-M90-2CA
블럭 Code : YKBH-M90-2BA

Technical data

- 대전방지
- NATURAL
- 베어링고정용(사출)
- 6022



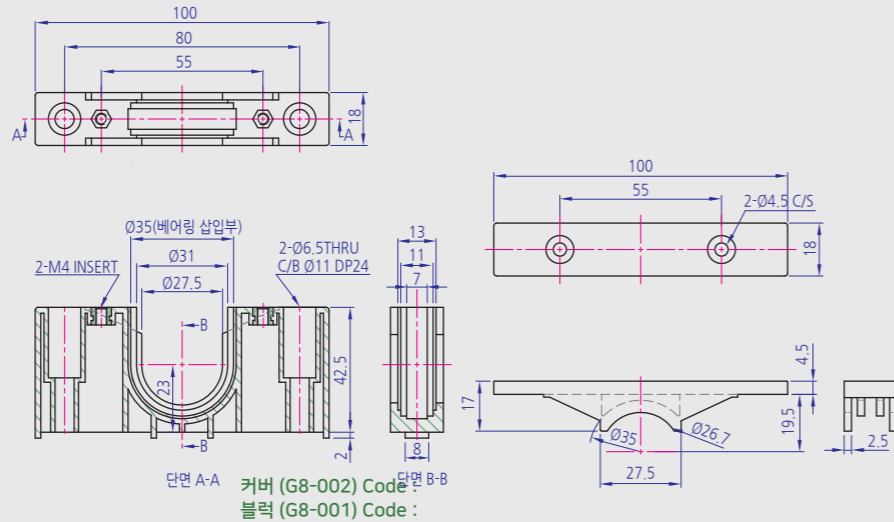
BEARING HOLDER-사출
YKBH-100x47x18



YKBH-M100-2CA
YKBH-M100-2BA

Technical data

- 대전방지
- NATURAL
- 베어링고정용(사출)
- 6202



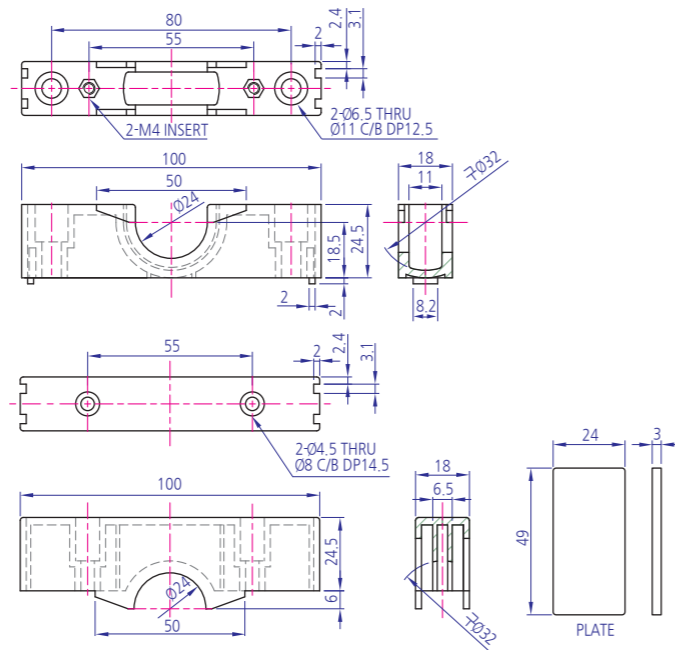
BEARING HOLDER-사출
YKBH-100x49x18



커버 Code : YKBH-MAB100-1CA
블럭 Code : YKBH-MAB100-1BA

Technical data

- 대전방지
- NATURAL
- 베어링고정용(사출)
- MU002



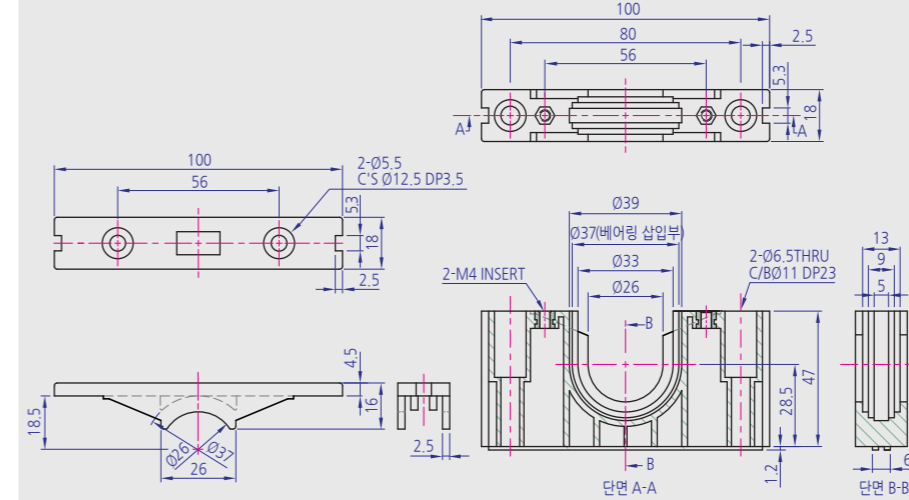
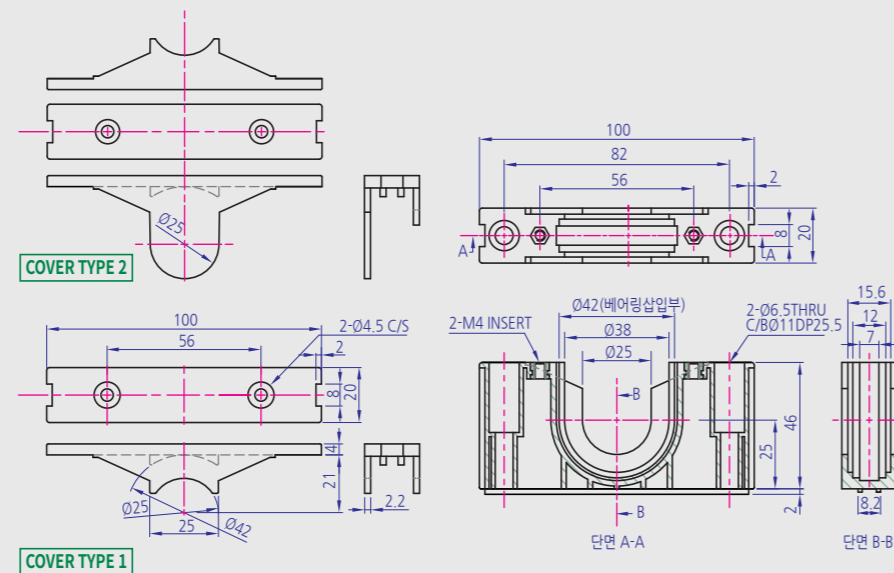
BEARING HOLDER-사출
YKBH-100x52x20



커버 Code : YKBH-M100-4CA
측면 커버형 Code : YKBH-M100-4CAA
블럭 Code : YKBH-M100-4BA

Technical data

- 대전방지
- NATURAL
- 베어링고정용(사출)
- 6004



BEARING HOLDER-사출
YKBH-100x52.7x18



커버 Code : YKBH-M100-3CA
블럭 Code : YKBH-M100-3BA

Technical data

- 대전방지
- NATURAL
- 베어링고정용(사출)
- 6904

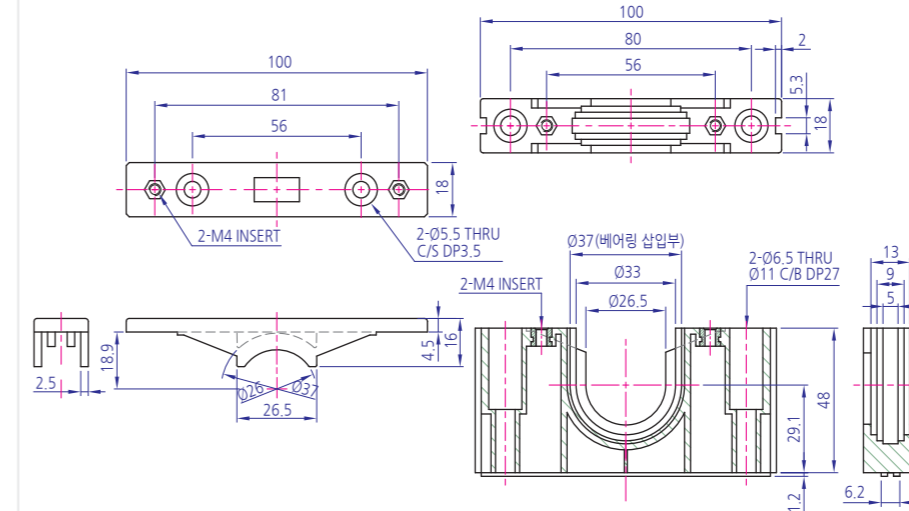
BEARING HOLDER-사출
YKBH-100x53x18



커버 Code : YKBH-M100-5CA
YKBH-M100-5BA

Technical data

- 대전방지
- NATURAL
- 베어링고정용(사출)
- 6904



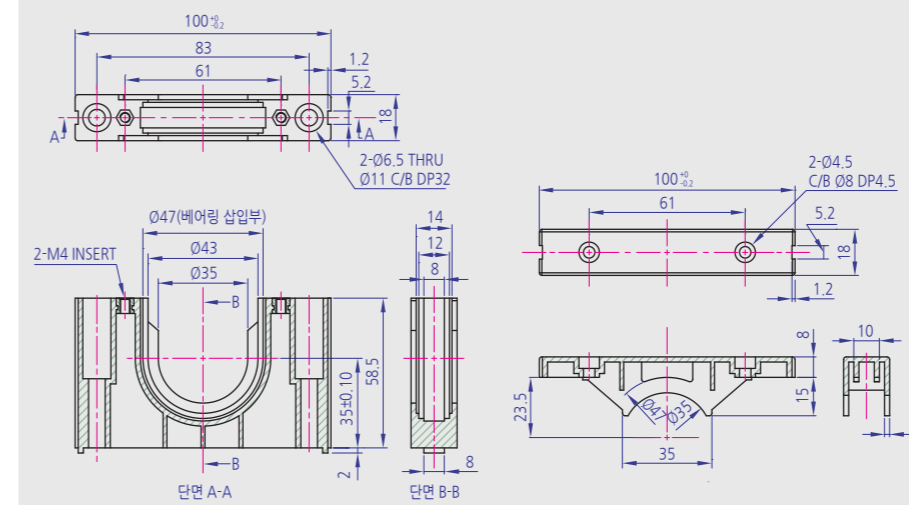
BEARING HOLDER-사출
YKBH-M100x66.5x18



커버 Code : YKBH-M100-6CA
블럭 Code : YKBH-M100-6BA

Technical data

- PC ALLOY
- NATURAL
- 베어링고정용(사출)
- 6005
- 상세한 스펙은 영업부에 문의 바랍니다. 커버 Code : YKBH-M100-6CA 블럭 Code : YKBH-M100-6BA



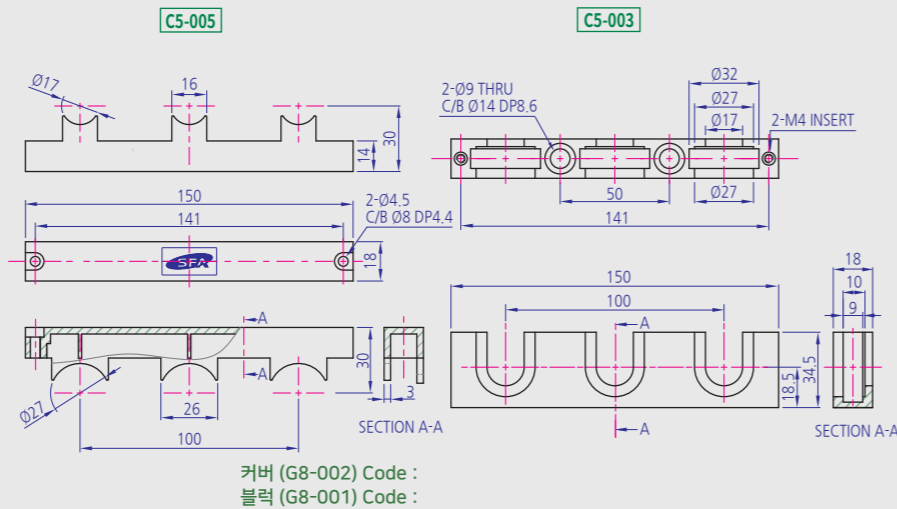
BEARING HOLDER-사출
YKBH-150x34.5x18, 150x30x18



YKBH-MC5-005C
YKBH-MC5-003B

Technical data

- PC ALLOY
- NATURAL
- 베어링고정용(사출)
- 6002



커버 (G8-002) Code :
블럭 (G8-001) Code :

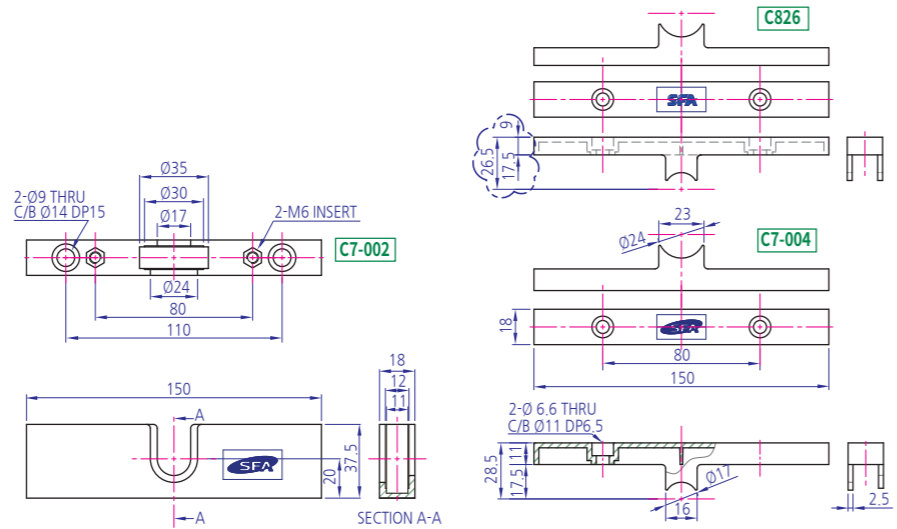
BEARING HOLDER-사출
YKBH-150x37.5x18,
150x28.5x18, 150x26.5x18



C7-004커버 Code :YKBH-MC7-004C
C826커버 Code :YKBH-MC826C
C7-002블럭 Code :YKBH-MC7-002B

Technical data

- PC ALLOY
- NATURAL
- 베어링고정용(사출)
- 6202
- Cover 높이가 9mm, 11mm 두종류입니다



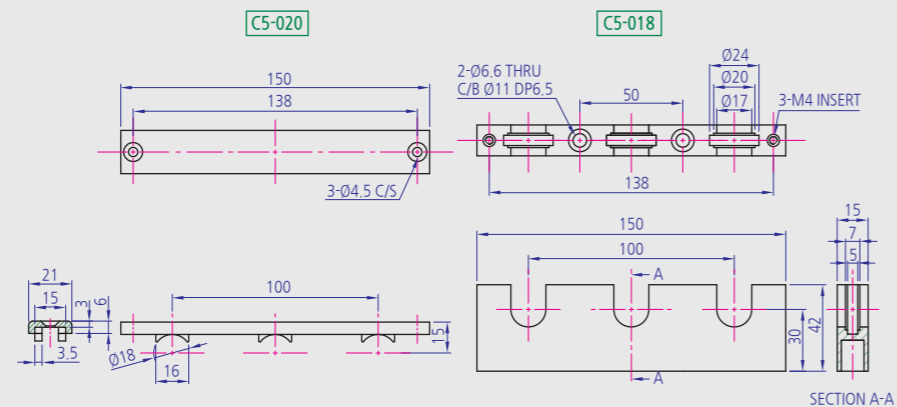
BEARING HOLDER-사출
YKBH-150x42x15, 150x21x15



커버 Code : YKBH-MC5-020C
블럭 Code : YKBH-MC5-018B

Technical data

- PC ALLOY
- NATURAL
- 베어링고정용(사출)
- 6802



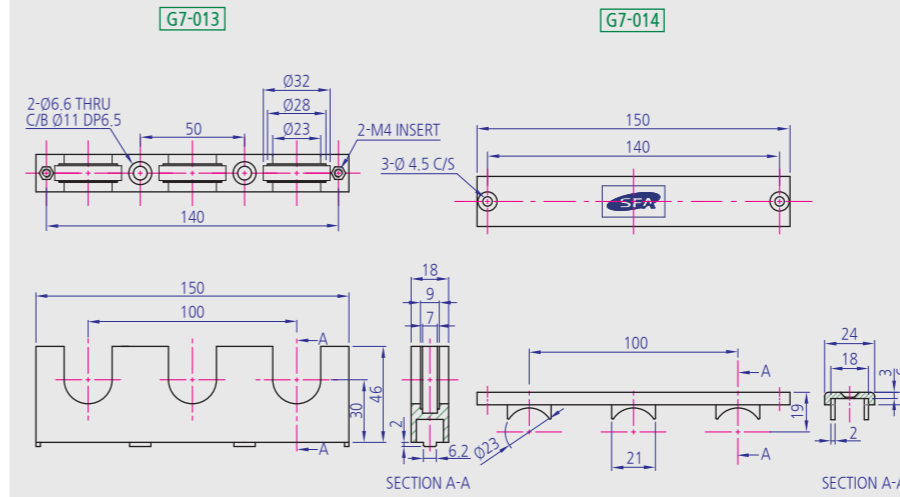
BEARING HOLDER-사출
YKBH-150x46x18, 150x24x19



커버 Code : YKBH-MG7-014C
블럭 Code : YKBH-MG7-013B

Technical data

- PC ALLOY
- NATURAL
- 베어링고정용(사출)
- 6804



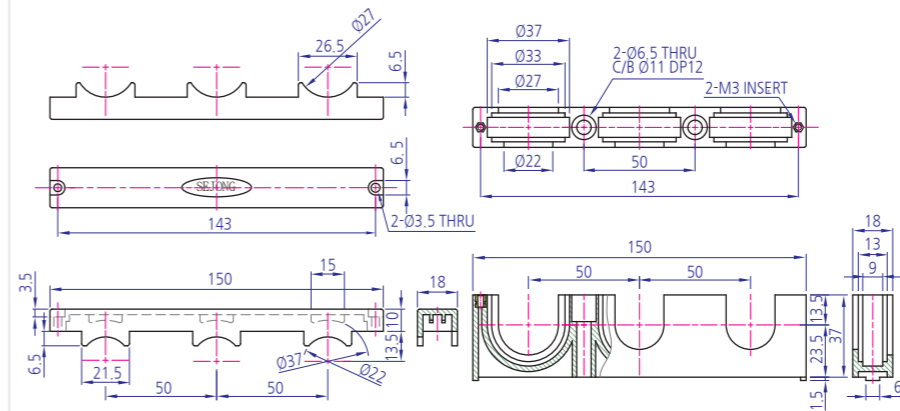
BEARING HOLDER-사출
YKBH-150x47x18



커버 Code : YKBH-M150-1CA
YKBH-M150-1BA

Technical data

- 대전방지
- NATURAL
- 베어링고정용(사출)
- 6904



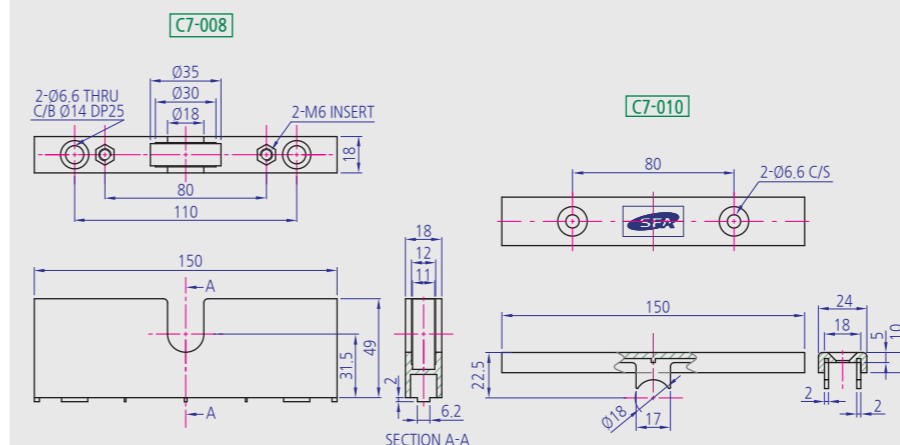
BEARING HOLDER-사출
YKBH-150x51x18, 150x24x22.5



커버 Code : YKBH-MC7-010C
블럭 Code : YKBH-MC7-008B
블럭 Code : YKBH-MC7-008-1BN(니켈무광)

Technical data

- PC ALLOY
- NATURAL
- 베어링고정용(사출)
- 6202



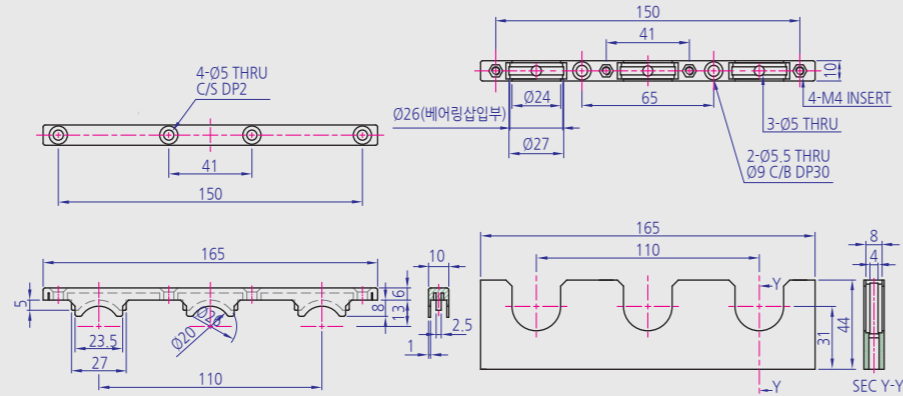
BEARING HOLDER-사출
YKBH-165x50x10



YKBH-M165-1CA
YKBH-M165-1BA

Technical data

- 대전방지
- NATURAL
- 베어링고정용(사출)
- 6000



커버 (G8-002) Code :
블럭 (G8-001) Code :

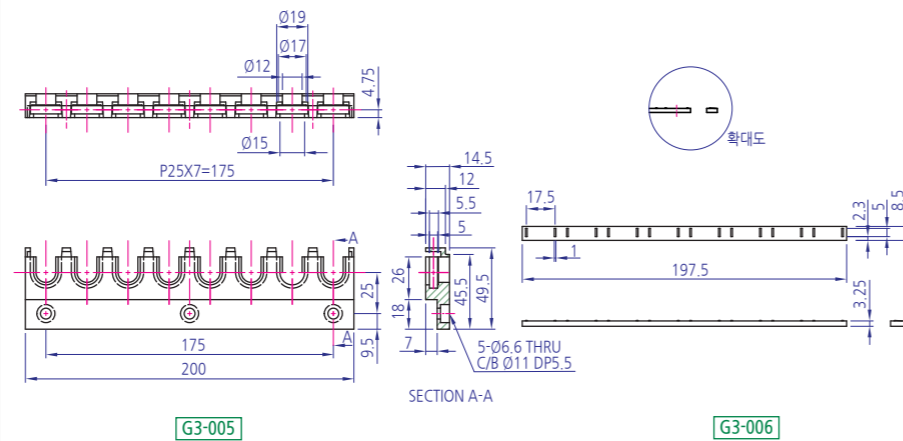
BEARING HOLDER-사출
YKBH-200x34.5x18, 200x30x18



커버 Code : YKBH-MG3-006
블럭 Code : YKBH-MG3-005B

Technical data

- PC ALLOY
- NATURAL
- 베어링고정용(사출)
- 6800



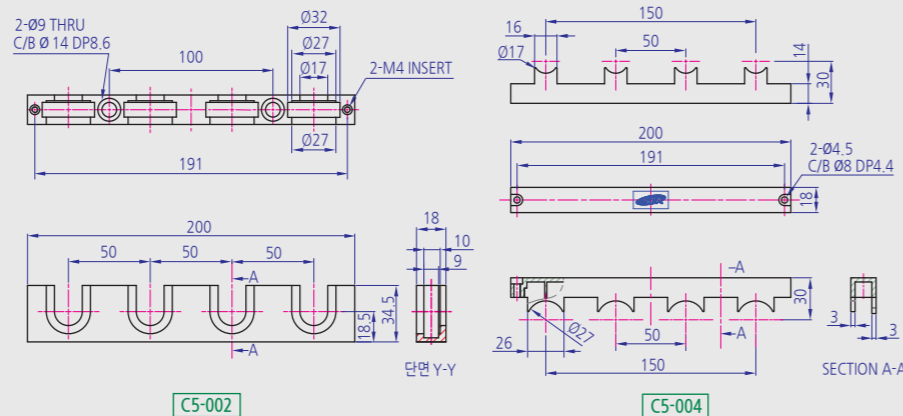
BEARING HOLDER-사출
YKBH-200x34.5x18, 200x30x18



커버 Code : YKBH-MC5-004C
블럭 Code : YKBH-MC5-002B

Technical data

- PC ALLOY
- NATURAL
- 베어링고정용(사출)
- 6202

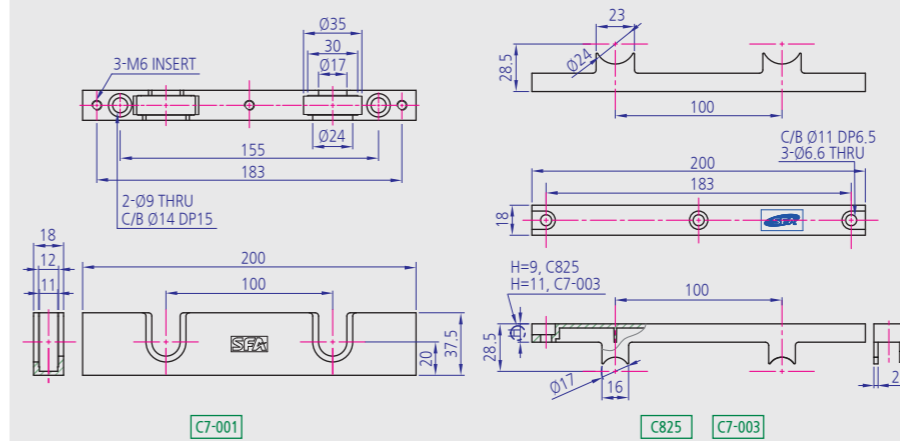


BEARING HOLDER-사출
YKBH-200x37.5x18, 200x26.5x18,
200x28.5x18



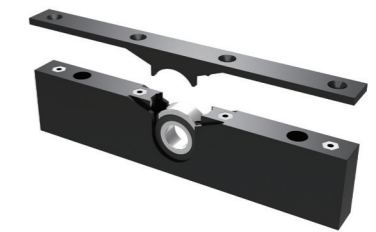
Technical data

- PC ALLOY
- NATURAL
- 베어링고정용(사출)
- 6202



(C825)커버 Code : YKBH-MC825C
(C7-003)커버 Code : YKBH-MC7-003C
(C7-001)블럭 Code : YKBH-MC701B

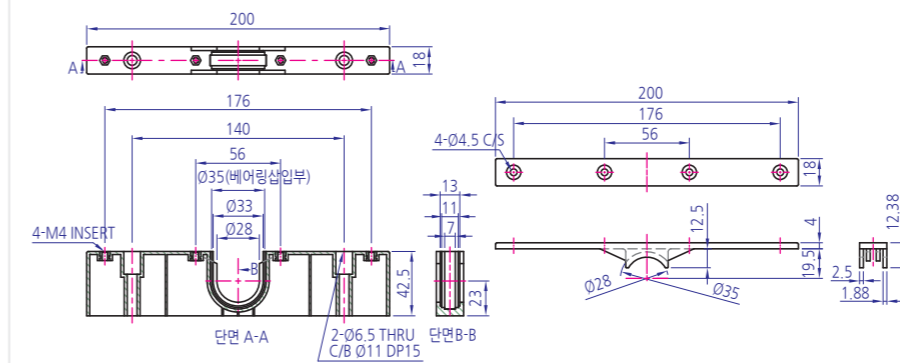
BEARING HOLDER-사출
YKBH-200x46.5x18



커버 Code : YKBH-M200-1CA
YKBH-M200-1BA

Technical data

- 대전방지
- NATURAL
- 베어링고정용(사출)
- 6202



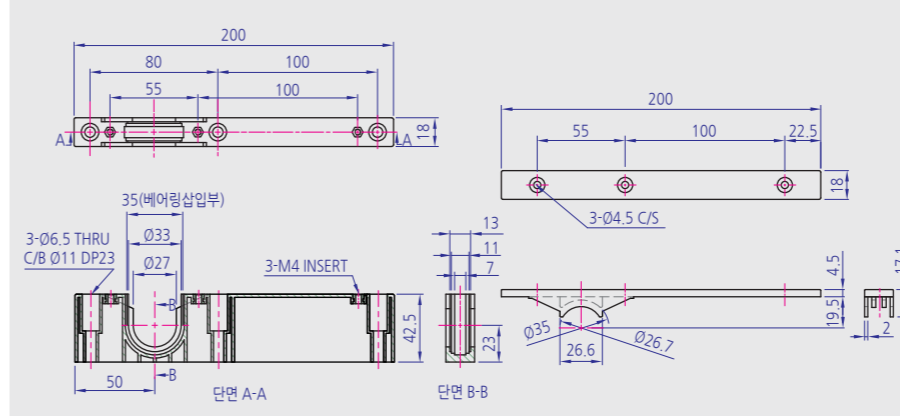
BEARING HOLDER-사출
YKBH-200x47x18 SHIFT



커버 Code : YKBH-M200-2ECAA
블럭 Code : YKBH-M200-2EBAA

Technical data

- 대전방지
- NATURAL
- 베어링고정용(사출)
- 6202



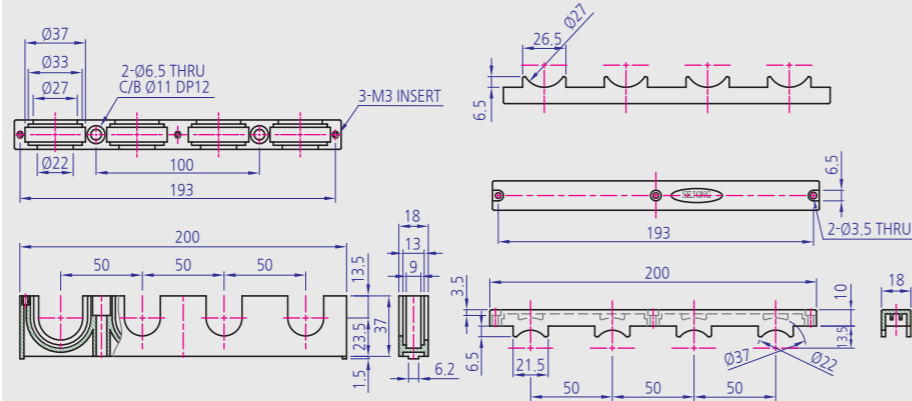
BEARING HOLDER-사출
YKBH-200x47x18 SJ



YKBH-M200-2CA
YKBH-M200-2BA

Technical data

- 대전방지
- NATURAL
- 베어링고정용(사출)
- 6904



커버 (G8-002) Code :
블럭 (G8-001) Code :

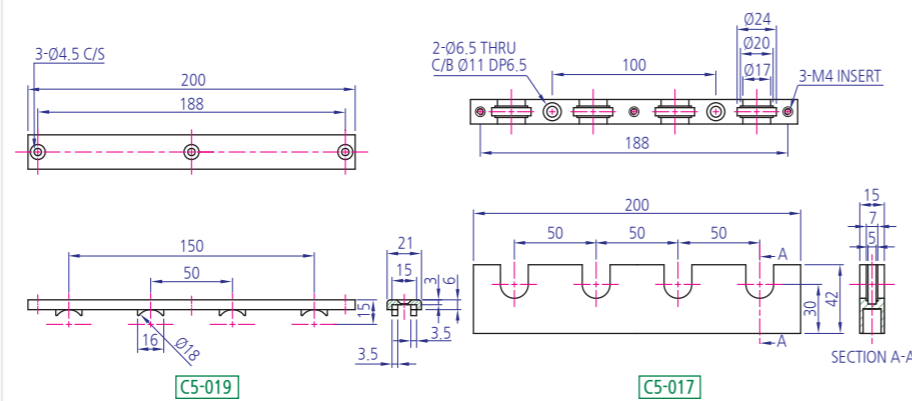
BEARING HOLDER-사출
YKBH-200x42x15, 200x21x15



커버 Code : YKBH-MC5-019C
블럭 Code : YKBH-MC5-017B

Technical data

- PC ALLOY
- NATURAL
- 베어링고정용(사출)
- 6802



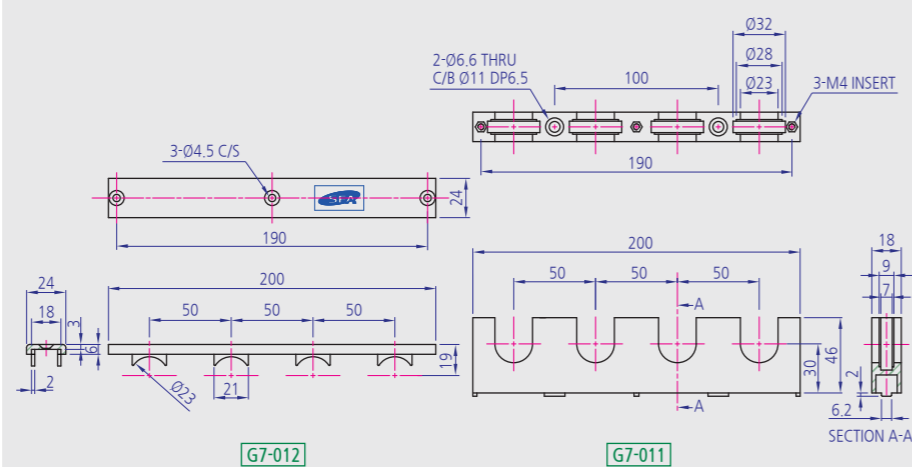
BEARING HOLDER-사출
YKBH-200x46x18, 200x24x19



커버 Code : YKBH-MG7-012C
블럭 Code : YKBH-MG7-011B

Technical data

- PC ALLOY
- NATURAL
- 베어링고정용(사출)
- 6804



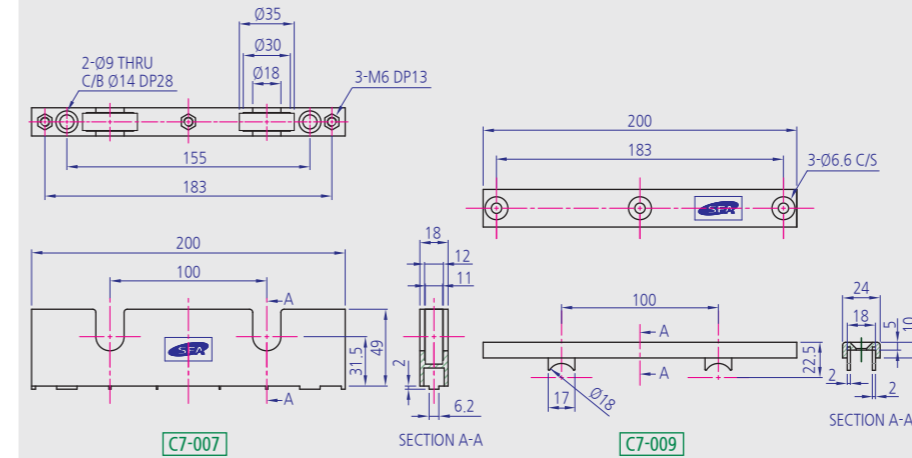
BEARING HOLDER-사출
YKBH-200x51x18, 200x24x22.5



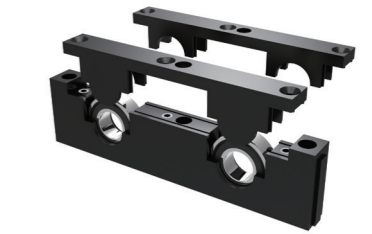
커버 Code : YKBH-MC7-009C
블럭 Code : YKBH-MC7-007B

Technical data

- PC ALLOY
- NATURAL
- 베어링고정용(사출)
- 6202



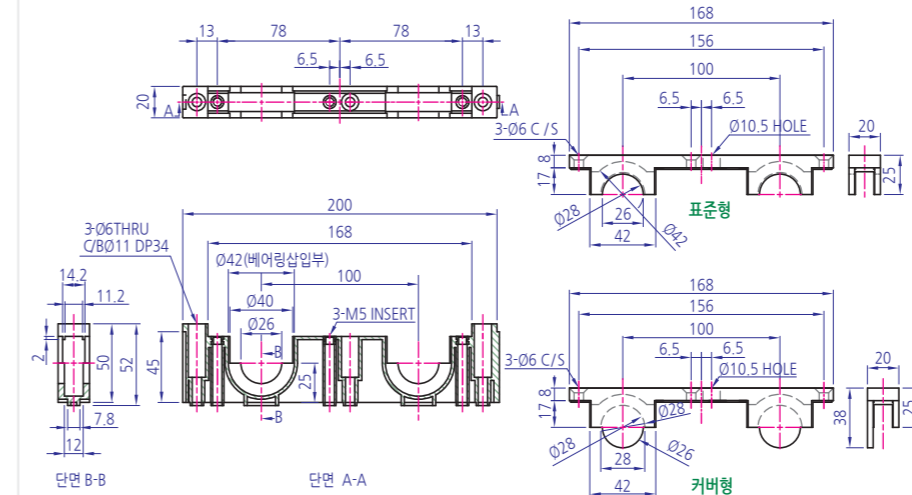
BEARING HOLDER-사출
YKBH-200x52x20



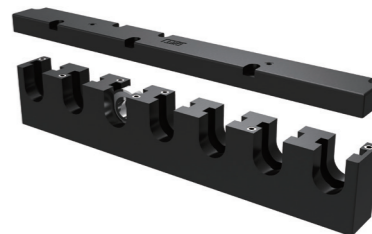
커버 Code : YKBH-M200SA(표준형)
YKBH-M200SAA(커버형)

Technical data

- 대전방지
- NATURAL
- 베어링고정용(사출)
- 6004
- Cover가 Bearing을 가리지 않는 표준형과 Bearing을 가리는 커버형이 있습니다.



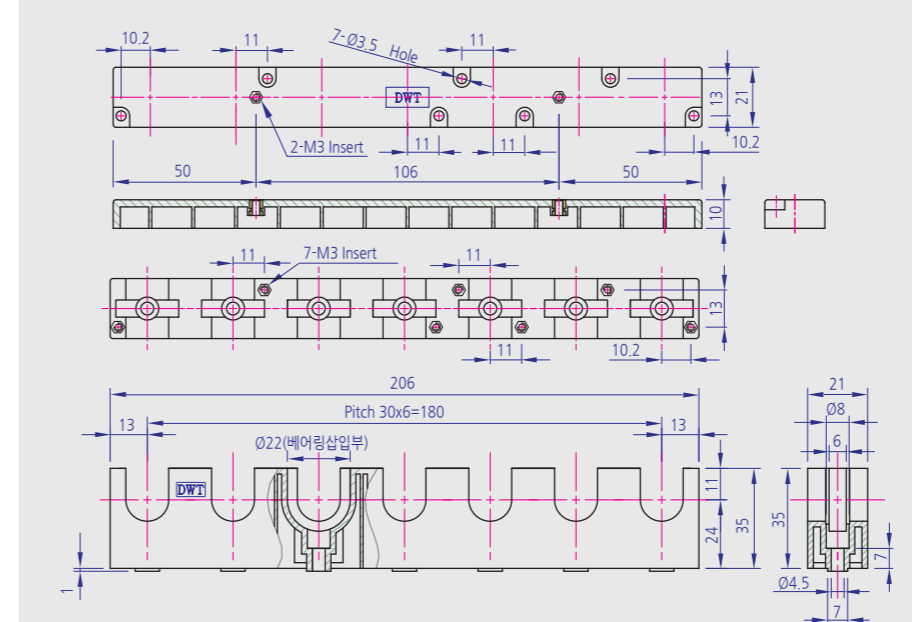
BEARING HOLDER-사출
YKBH-206x45x21



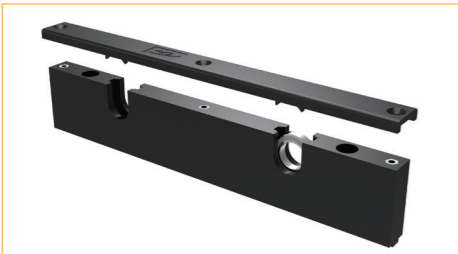
커버 Code : YKBH-M206-1CA
블럭 Code : YKBH-M206-1BA

Technical data

- 대전방지
- BLACK(흑)
- 베어링고정용(사출)
- 6900



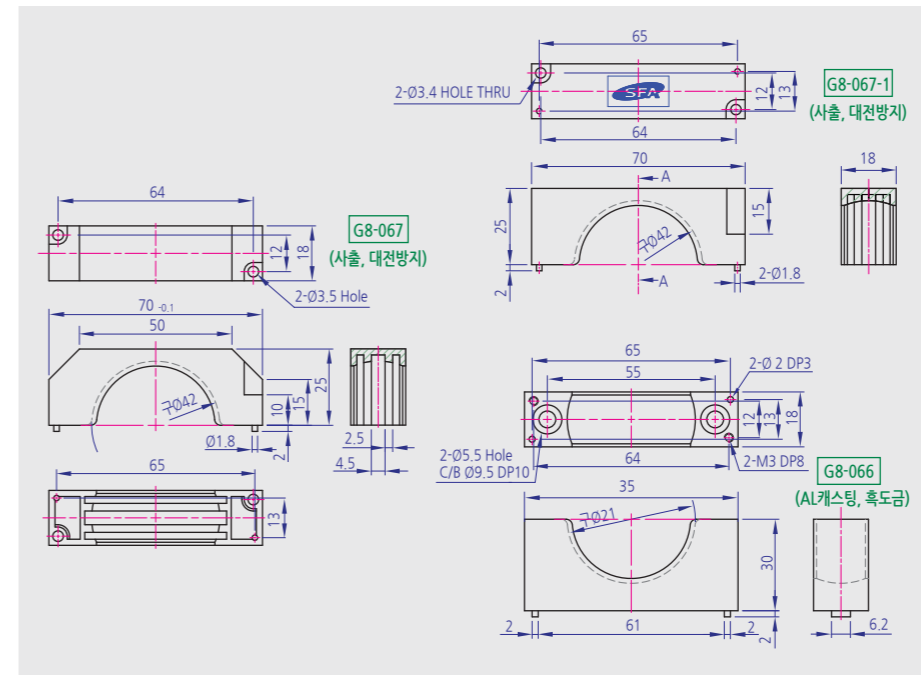
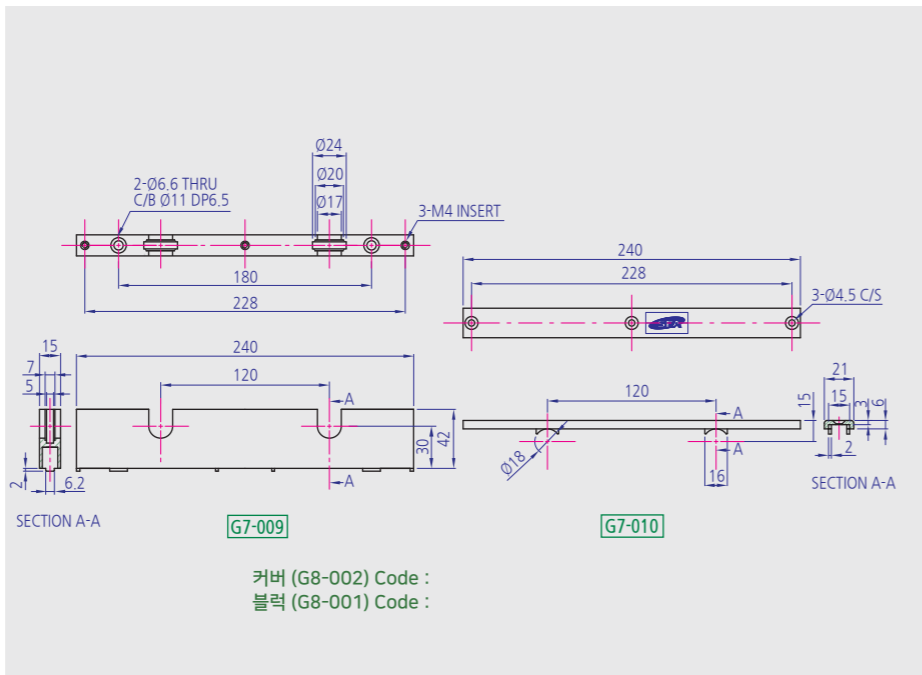
BEARING HOLDER-사출
YKBH-240x42x15, 240x21x15



YKBH-MG7-010C
YKBH-MG7-009B

Technical data

- PC ALLOY
- NATURAL
- 베어링고정용(사출)
- 6802



BEARING HOLDER - AL캐스팅
YKBH-70x55x18



커버 Code : YKBH-MG8-067
블럭 Code : YKBH-DG8-066B

Technical data

- BLOCK-ALDC 12, COVER-PC ALLOY
- BLOCK-흑크롬, COVER-NATURAL
- 베어링고정용(D/C)
- MU004

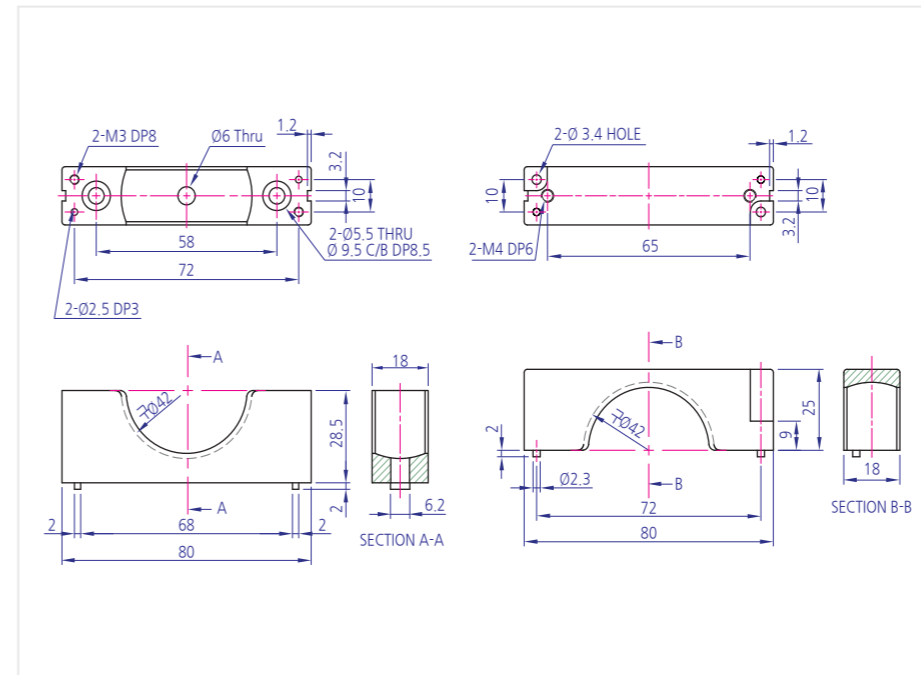
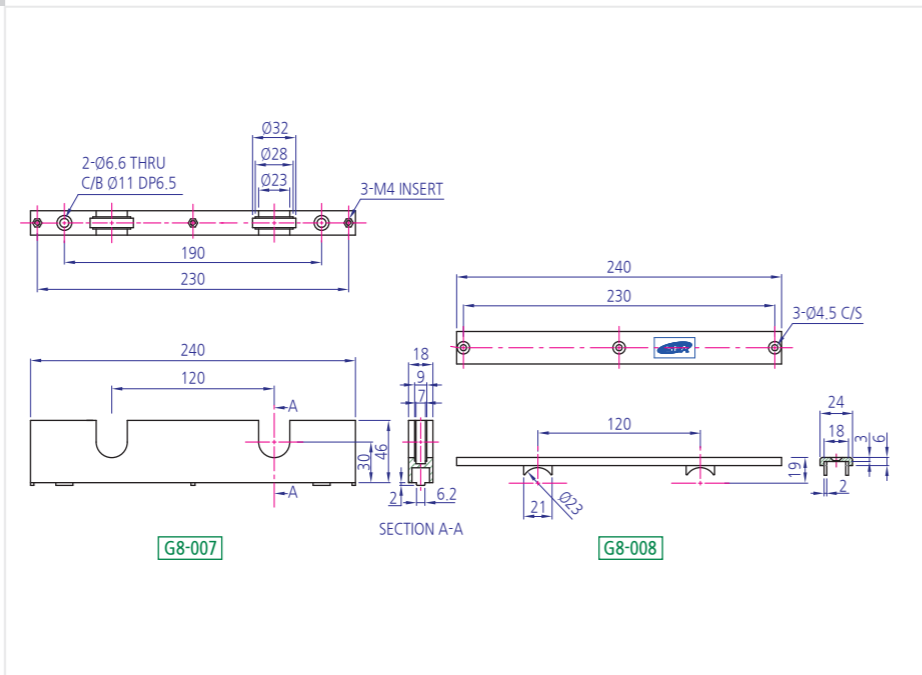
BEARING HOLDER-사출
YKBH-240x46x18, 240x24x19



커버 Code : YKBH-MG8-008C
블럭 Code : YKBH-MG8-007B

Technical data

- PC ALLOY
- NATURAL
- 베어링고정용(사출)
- 6804



BEARING HOLDER - AL캐스팅
YKBH-80x53.5x18



커버 Code : YKBH-DAB80CE
YKBH-DAB80BE

Technical data

- ALDC 12
- 무전해니켈
- 베어링고정용
- MU004

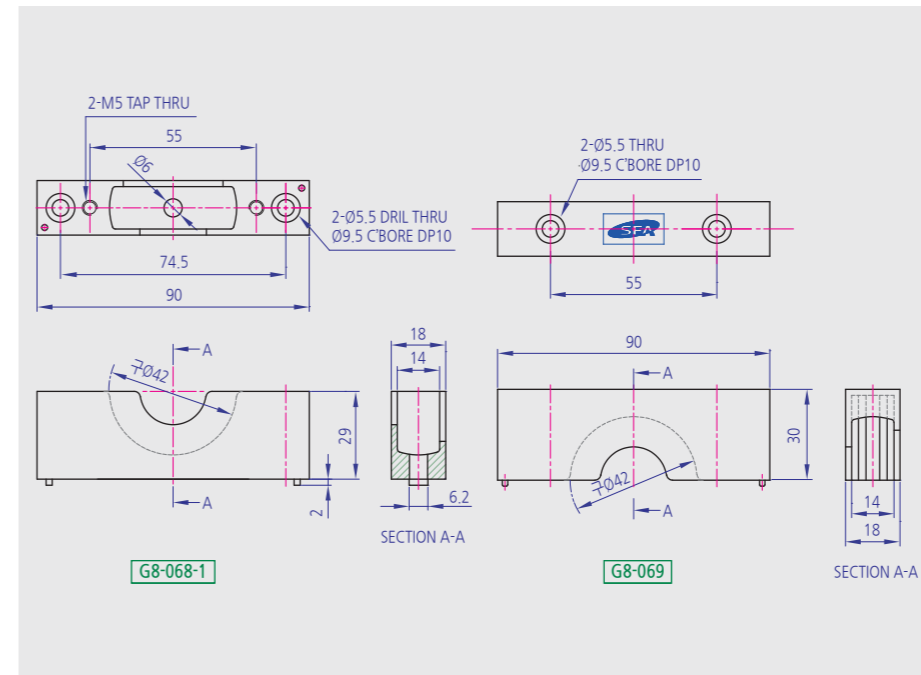
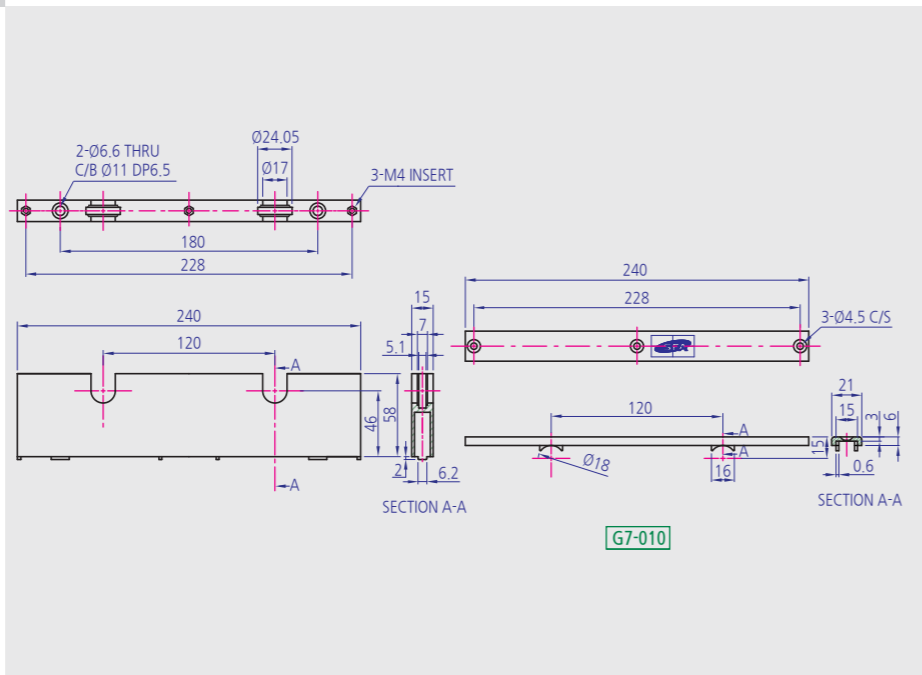
BEARING HOLDER-사출
YKBH-240x58x15, 240x21x15



커버 Code : YKBH-MG7-010C
블럭 Code :

Technical data

- PC ALLOY
- NATURAL
- 베어링고정용(사출)
- 6802



BERING HOLDER-AL 캐스팅
YKBH-90x31x18T



커버 Code : YKBH-MG8-069
블럭 Code : YKBH-DG8-068-1BB

Technical data

- ALDC 12, PC+CF30
- Black chrome
- 베어링 고정용(D/C)
- MU004+ER
- 대전방지 주문사양

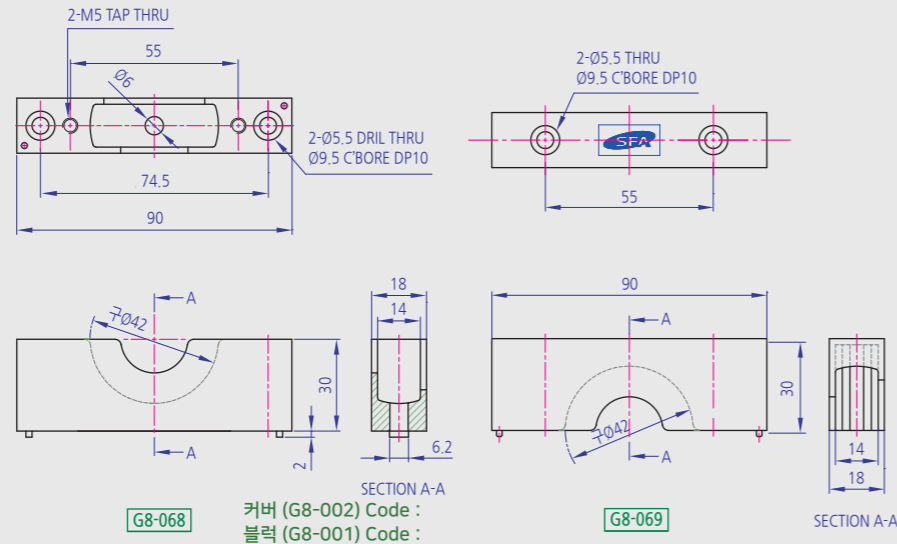
BEARING HOLDER-AL 캐스팅
YKBH-90x32x18T



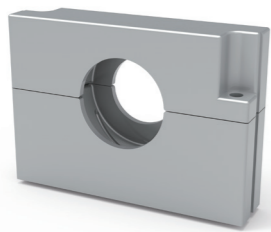
YKBH-MG8-069
YKBH-DG8-068BB

Technical data

- ALDC 12, PC+CF30
- Black chrome
- 베어링 고정용(D/C)
- MU004+ER
- 대전방지 주문사양



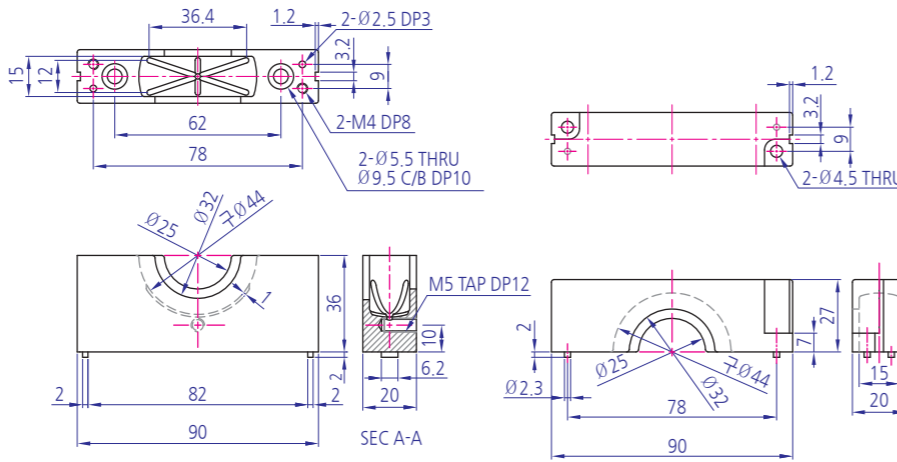
BEARING HOLDER - AL캐스팅
YKBH-D90x63x20



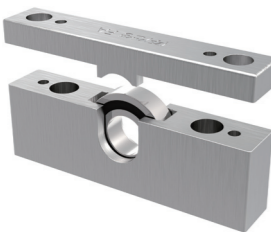
커버 Code : YKBH-D90-1CS
블럭 Code : YKBH-D90-1BS

Technical data

- ALDC 12
- SILVER
- 베어링고정용
- MU6022



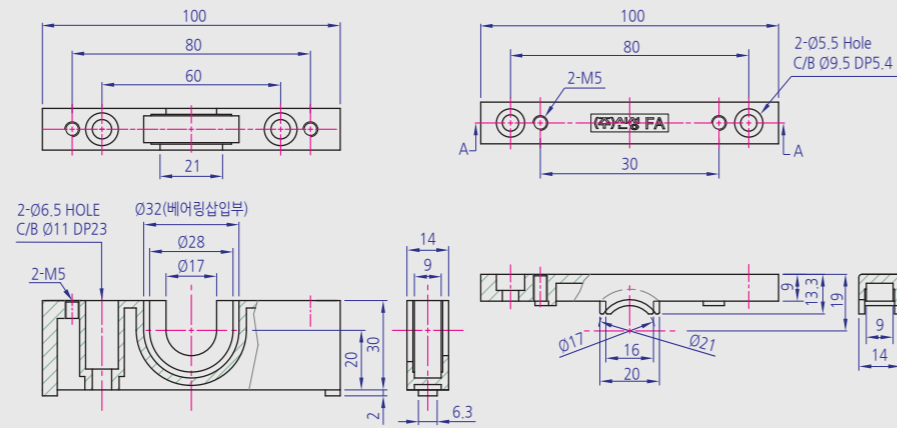
BEARING HOLDER - AL캐스팅
KBH-100x41x14



커버 Code : YKBH-D100-1CE
블럭 Code : YKBH-D100-1BE

Technical data

- ALDC 12
- 무전해니켈
- 베어링고정용
- 6002



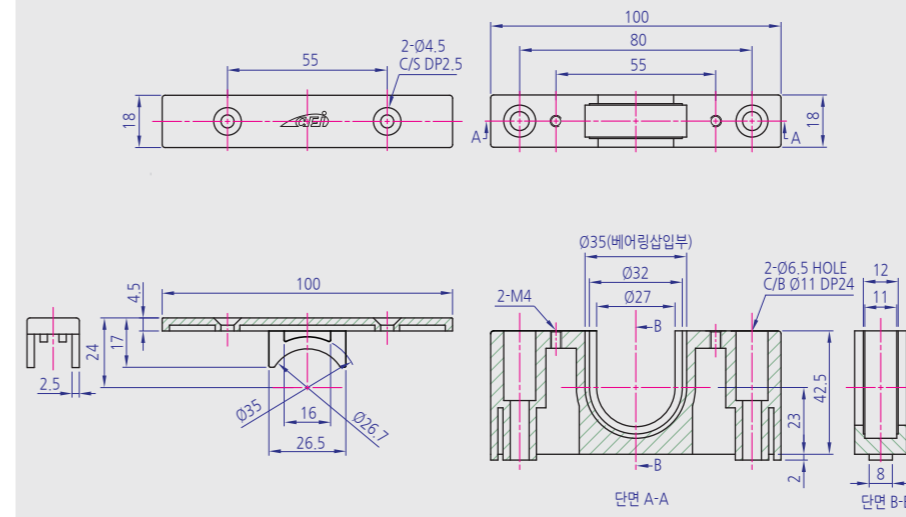
BEARING HOLDER - AL캐스팅
YKBH-100x47x18



커버 Code : YKBH-D100-2CE
블럭 Code : YKBH-D100-2BE

Technical data

- ALDC 12
- 무전해니켈
- 베어링고정용
- 6202



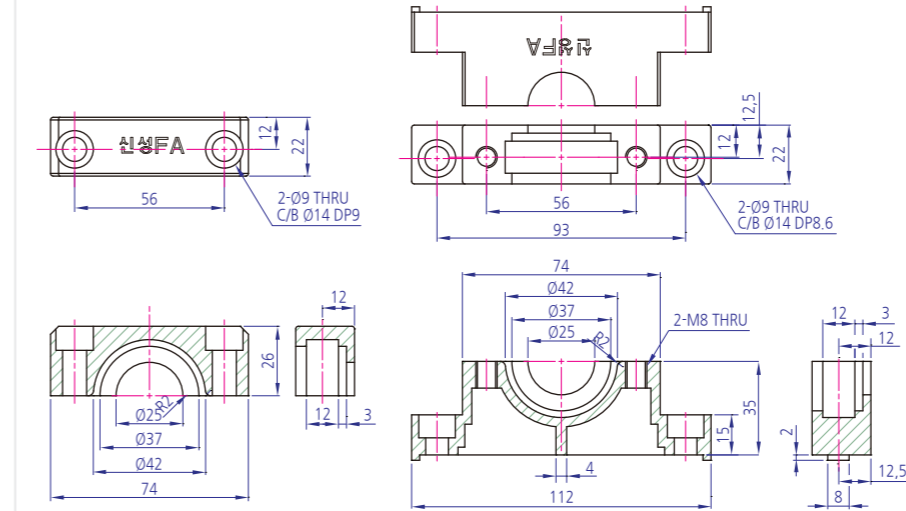
BEARING HOLDER
YKBH-D-112x61x22 OPEN



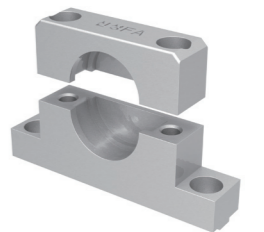
커버 Code : YKBH-D112-1COPS
YKBH-D112-1BOPS

Technical data

- ALDC 12
- 액체도장(SILVER)
- Bearing 고정용, Shaft 막음형



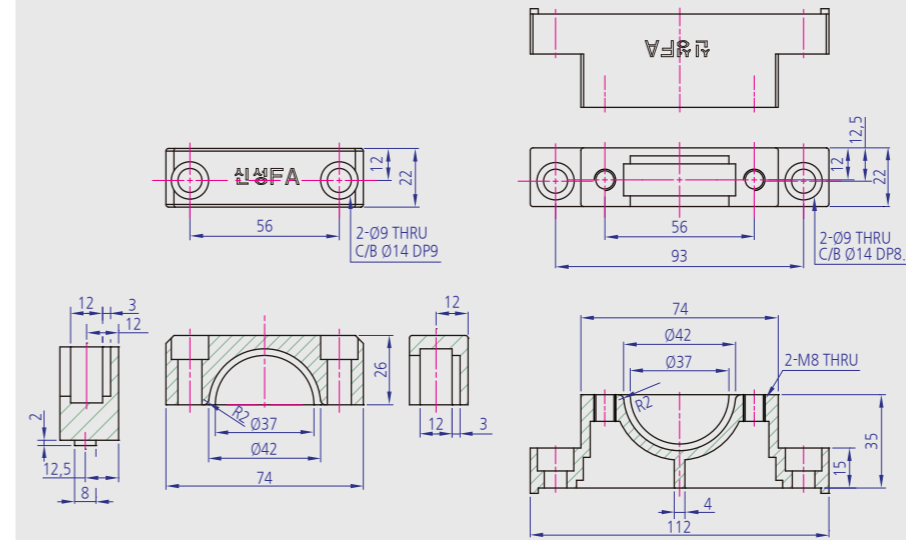
BEARING HOLDER
YKBK-D-112x61x22-CLOSE



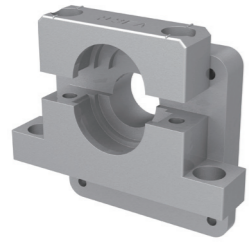
커버 Code : YKBH-D112-1CCLS
블럭 Code : YKBH-D112-1BCLS

Technical data

- ALDC 12
- 액체도장(SILVER)
- Bearing 고정용, Shaft 막음형



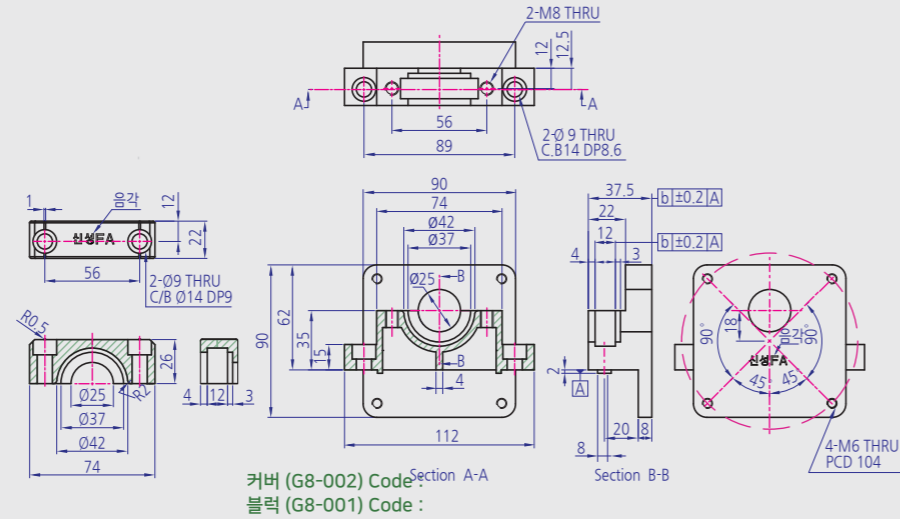
BERING HOLDER-AL 캐스팅
YKBH-D-112x90x37.5



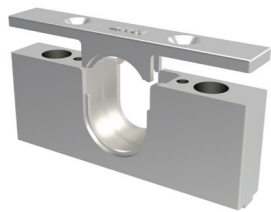
커버 Code : YKBH-D112-1CS(synus)/YKBH-D112-1CAS
블럭 Code : YKBH-D112-1BS(synus) / YKBH-D112-1BAS

Technical data

- ALDC 12
- SILVER PAINTING
- 베어링고정용(D/C)



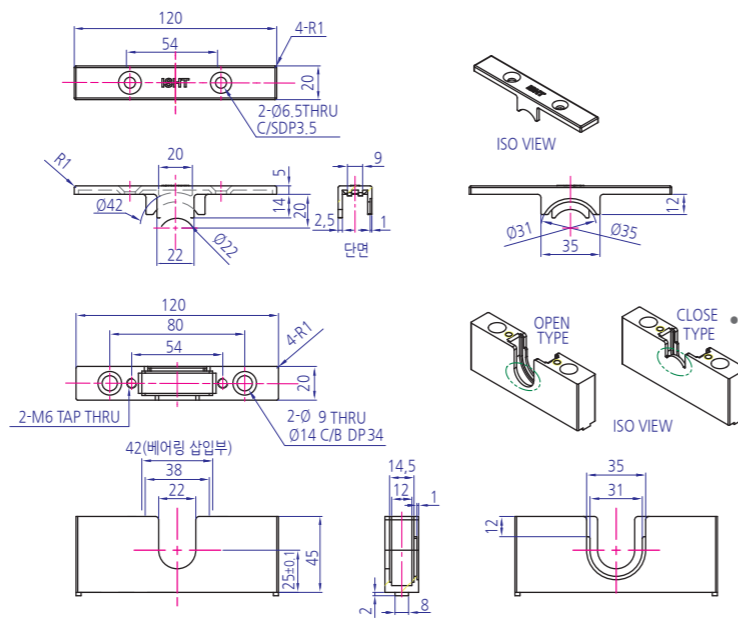
BERING HOLDER-AL 캐스팅
YKBH-D-120-1



커버 Code : YKBH-D120-1C
블럭 Code : YKBH-D120-1B

Technical data

- ALDC 12
- 액체도장(SILVER)
- Bearing 고정용, Shaft (막음형)



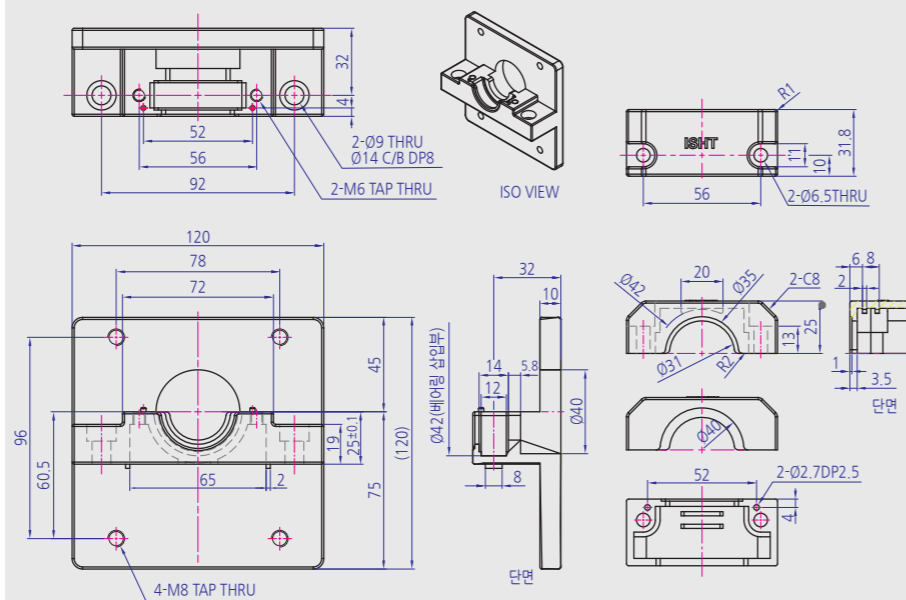
BERING HOLDER-AL 캐스팅
YKBH-D120-2



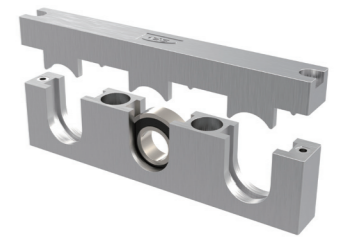
커버 Code : YKBH-D120-2C
블럭 Code : YKBH-D120-2B

Technical data

- ALDC 12
- 액체도장(SILVER)
- 베어링고정용(D/C)



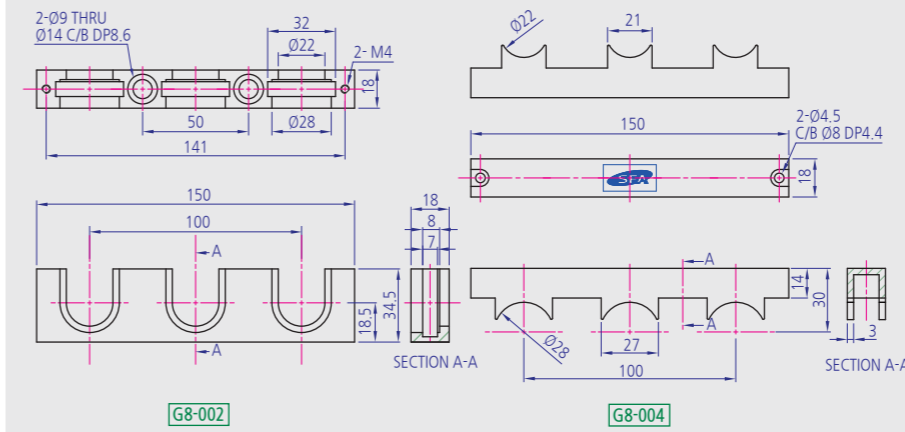
BERING HOLDER-AL 캐스팅
YKBH-150x34.5x18, 150x30x18



커버 Code : YKBH-DG8-004C
블럭 Code : YKBH-DG8-003B

Technical data

- ALDC 12
- Ni(니켈)
- 베어링고정용(D/C)
- 6804



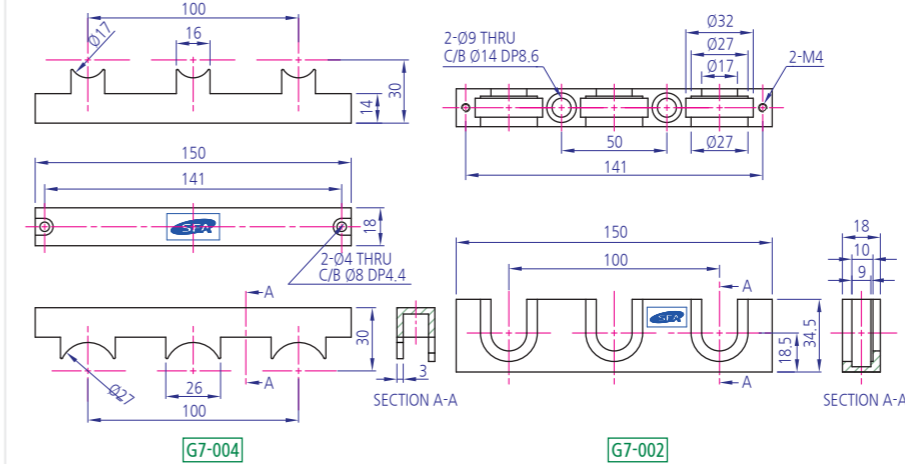
BERING HOLDER - AL캐스팅
YKBH-150x34.5x18, 150x30x18



커버 Code : YKBH-DG7-004C
YK-Z12797

Technical data

- ALDC 12
- Ni(니켈)
- 베어링고정용(D/C)
- 6804



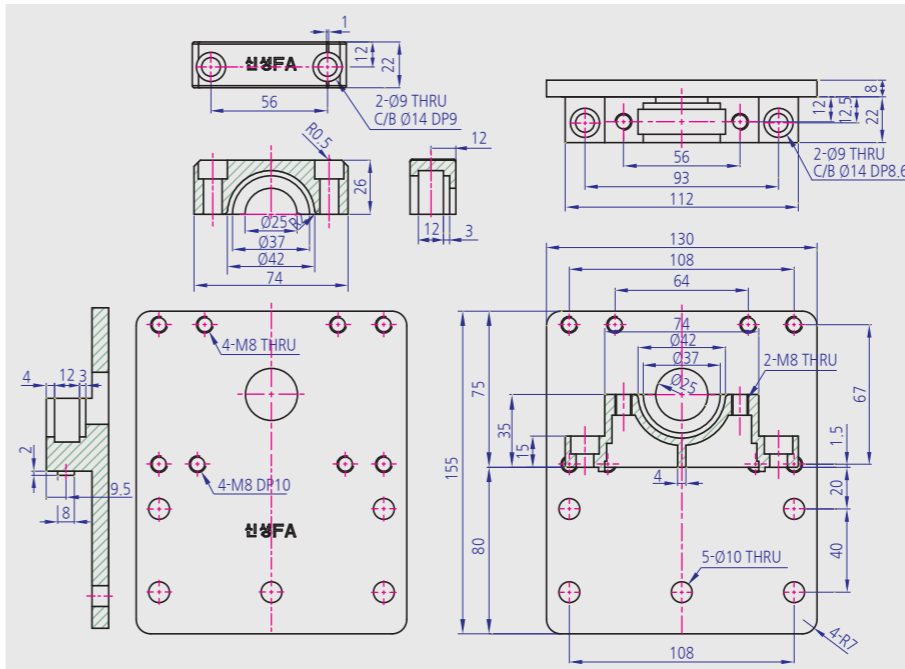
BEARING HOLDER - AL캐스팅
YKBH-D 180x158x30



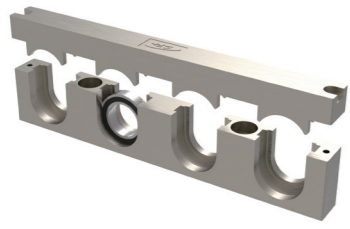
커버 Code : YKBH-D180-1CS
블럭 Code : YKBH-D180-1BS

Technical data

- ALDC 12
- 액체도장(SILVER)
- BEARING고정용, SHAFT막음형
- 6004

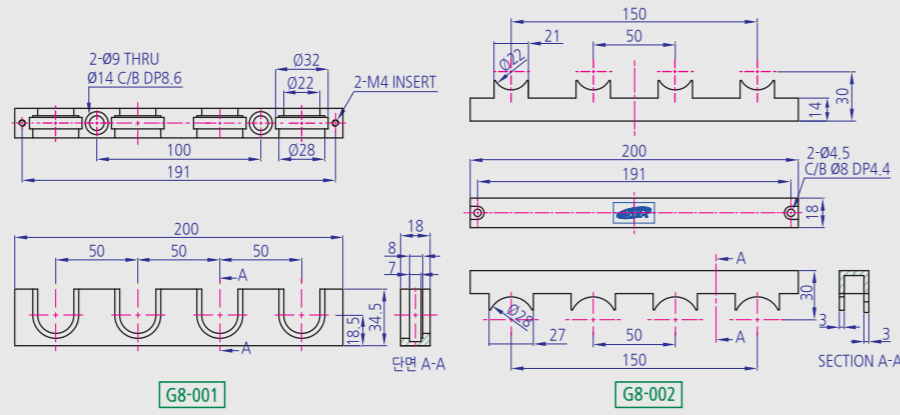


BEARING HOLDER - AL캐스팅
YKBH-200x34.5x18, 200x30x18



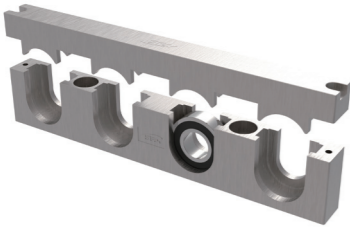
Technical data

- ALDC 12
- Ni(니켈)
- 베어링고정용(D/C)
- 6804



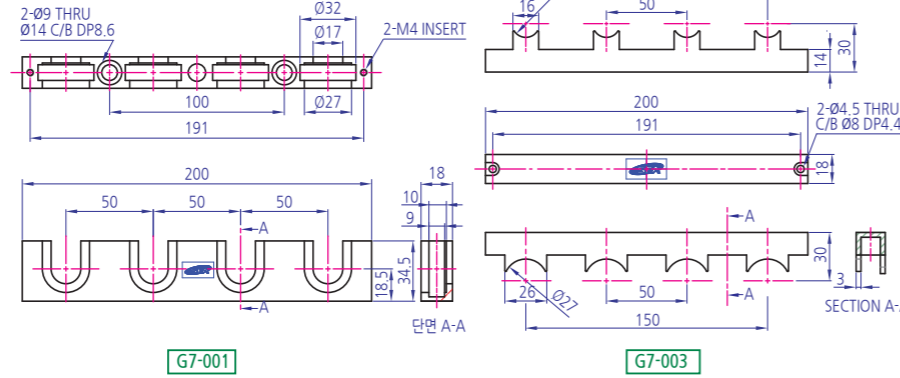
커버 (G8-002) Code : YK-Z12797
블럭 (G8-001) Code : YKBH-DG8-001B(유광)
YKBH-DG8-001BN(무광)

BEARING HOLDER - AL캐스팅
YKBH-200x34.5x18, 200x30x18



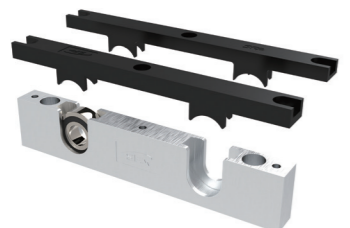
Technical data

- ALDC 12
- Ni(니켈)
- 베어링고정용(D/C)
- 6202



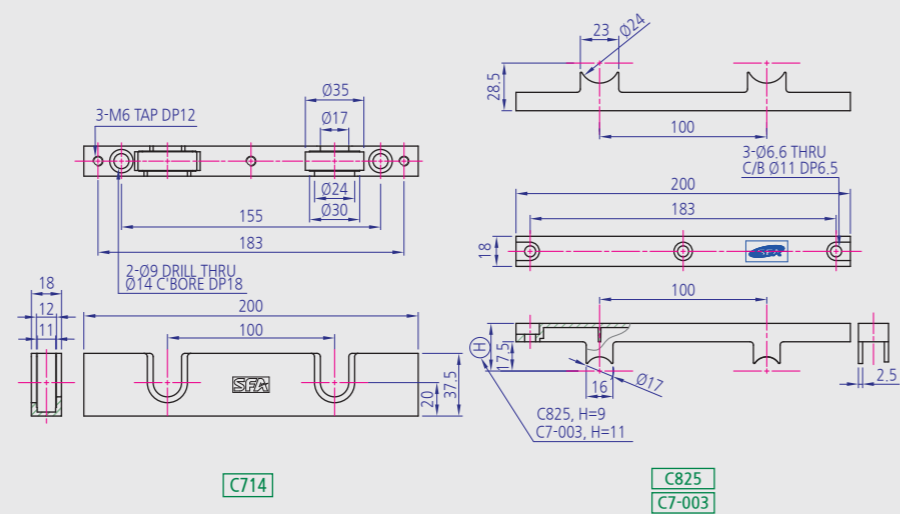
커버 (G7-003)(Ø20) Code : YKBH-DG7-003C
블럭 (G7-001)(Ø15) Code : YKBH-DG7-001B

BERING HOLDER-AL 캐스팅
YKBH-D-200x37.5x18,
200x26.5x18, 200x28.5x18



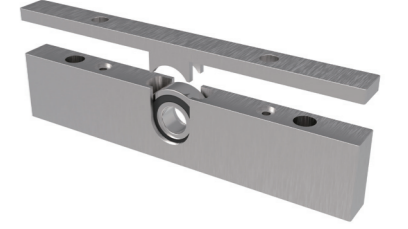
Technical data

- ALDC 12, PC ALLOY
- Ni(니켈), NATURAL
- 베어링고정용(D/C)
- 6202
- Cover 높이가 9mm, 11mm 두종류입니다.



커버(C825) Code : YKBH-MC825C
커버(C7-003) Code : YKBH-MC7-003C
블럭 Code : YKBH-DC714FB

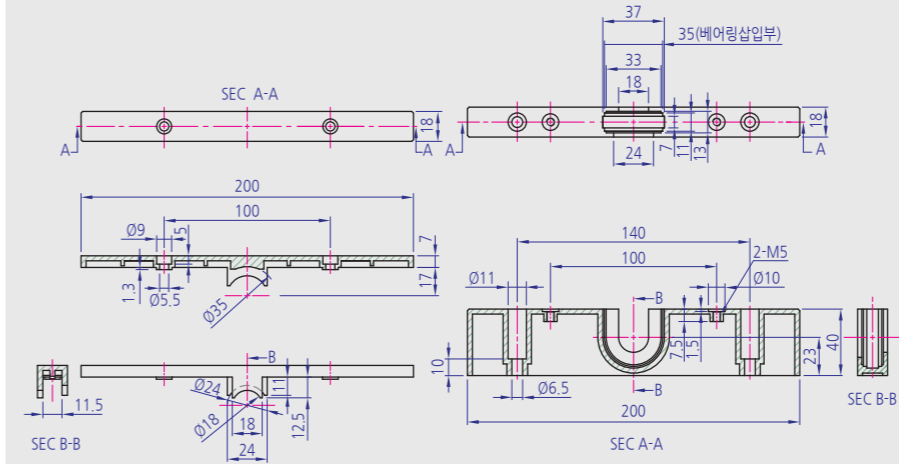
BERING HOLDER-AL 캐스팅
YKBH-200x47x18



커버 Code : YKBH-M200-2CA
블럭 Code : YKBH-M200-2BA

Technical data

- ALDC 12
- Ni(니켈)
- 베어링고정용(D/C)
- 6202
- 재고소진 후 단종처리 예정



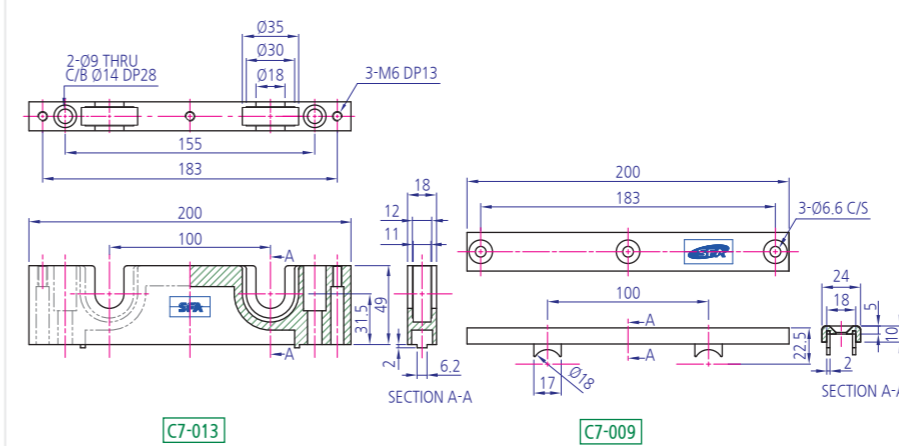
BEARING HOLDER - AL캐스팅
YKBH-200x51x18, 200x24x22.5



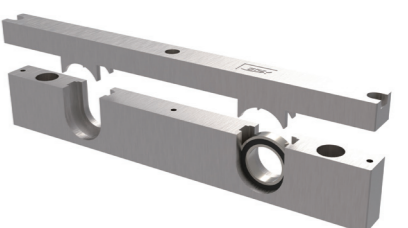
커버 Code : YKBH-MC7-009C
블럭 Code : YKBH-DC713BN

Technical data

- ALDC 12, PC ALLOY
- Ni(니켈), NATURAL
- 베어링고정용(D/C)
- 6202



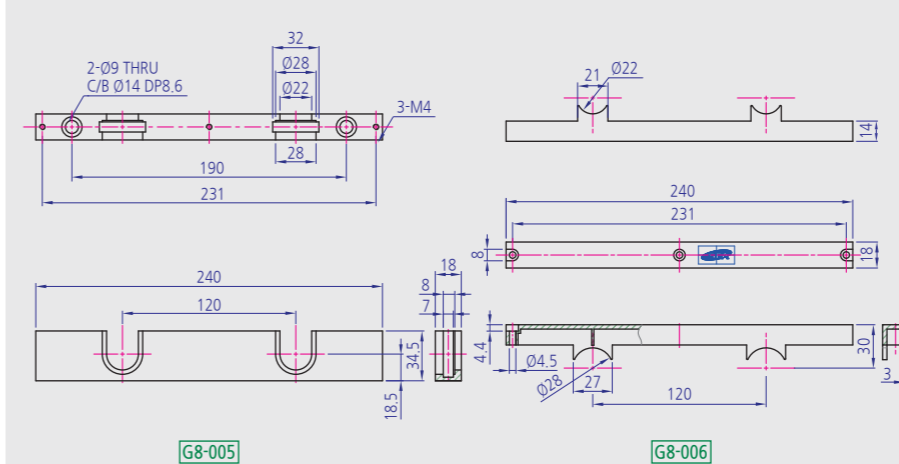
BEARING HOLDER - AL캐스팅
YKBH-240x34.5x18, 240x30x18



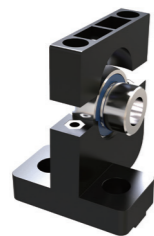
커버 Code : YKBH-DG8-006C
블럭 Code : YKBH-DG8-005B

Technical data

- ALDC 12
- Ni(니켈)
- 베어링고정용(D/C)
- 6804



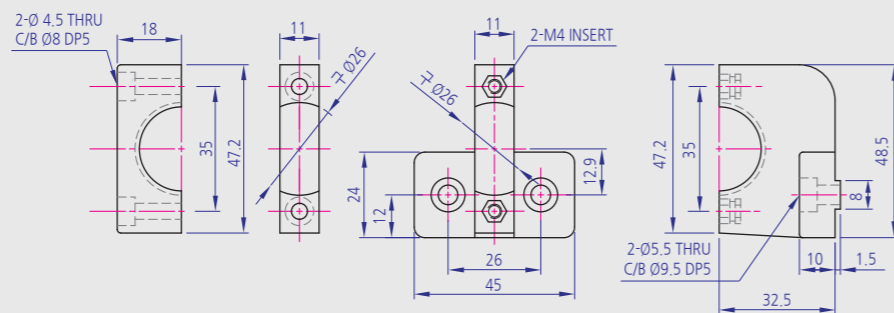
BEARING HOLDER - 사출
YKBH-EBH-AB10-01



YKBH-MAB45-1C
YKBH-MAB45-1B

Technical data

- ABS-HI100
- NATURAL
- 자동조심용(사출)
- MU000



커버 (G8-002) Code :
블럭 (G8-001) Code :

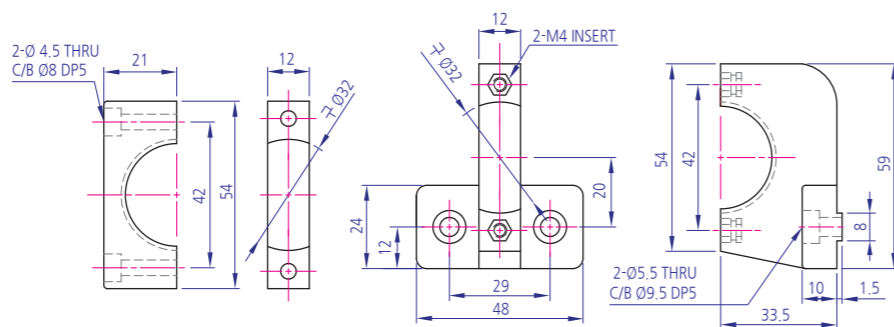
BEARING HOLDER - 사출
YKBH-EBH-AB10-02



커버 Code : YKBH-MAB48-1C
블럭 Code : YKBH-MAB48-1B

Technical data

- ABS-HI100
- NATURAL
- 자동조심용(사출)
- MU002



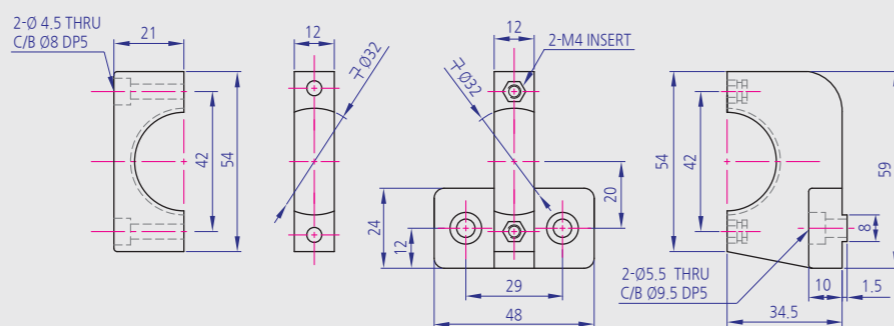
BEARING HOLDER - 사출
YKBH-EBH-AB10-03



커버 Code : YKBH-MAB48-2C
블럭 Code : YKBH-MAB48-2B

Technical data

- ABS-HI100
- NATURAL
- 자동조심용(사출)
- MU002



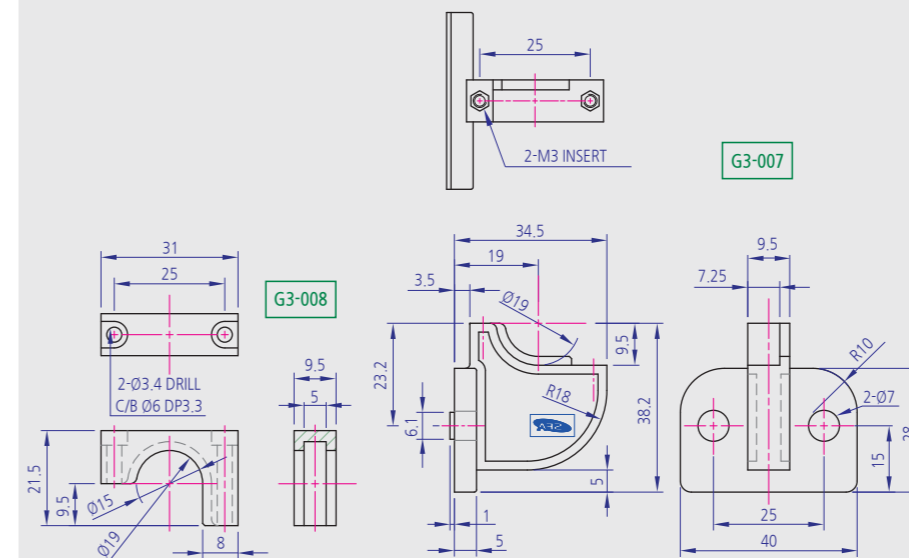
BEARING HOLDER - 사출
YKBH-37.5x38.2x40, 35x21.5x9.5



커버 Code : YKBH-MG3-008CA
블럭 Code : YKBH-MG3-007BA

Technical data

- 대전방지
- NATURAL
- 베어링고정용(사출)
- 6800



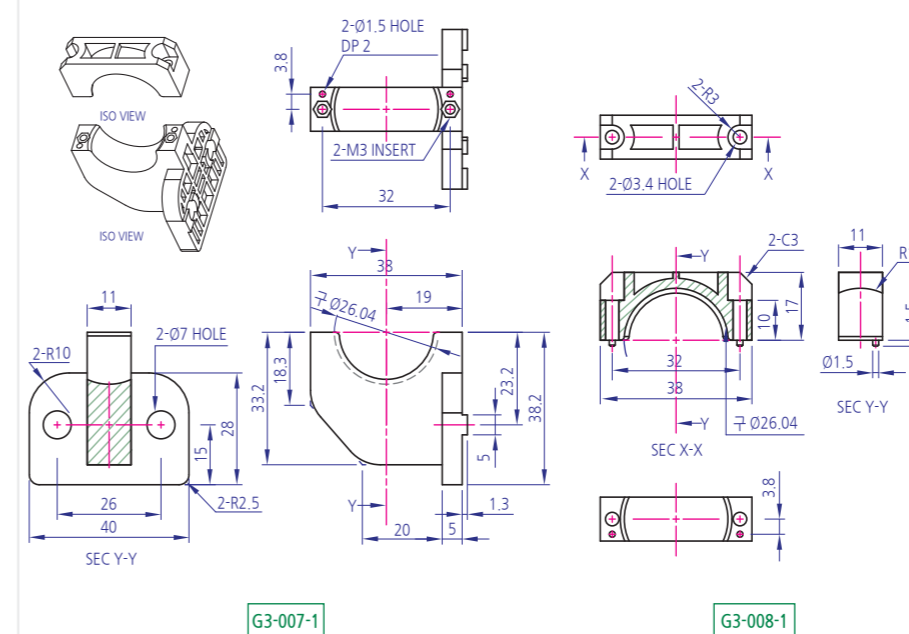
BEARING HOLDER - 사출
YKBH 38x38.2x40, 38x17x11



커버 Code : YKBH-MG3-008-1CA
YKBH-MABG3-007-1BA

Technical data

- PC ALLOY
- NATURAL
- 베어링고정용(사출)
- MU000



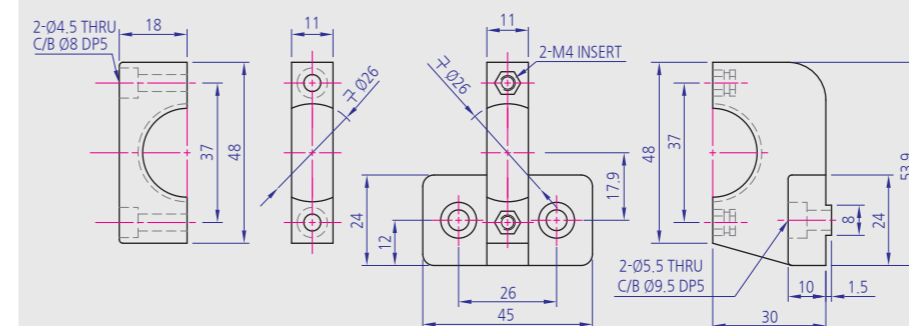
BEARING HOLDER - 사출
YKBH-S6000



커버 Code : YKBH-MAB45-2C
블럭 Code : YKBH-MAB45-2B

Technical data

- ABS-HI100
- NATURAL
- 자동조심용(사출)
- MU000



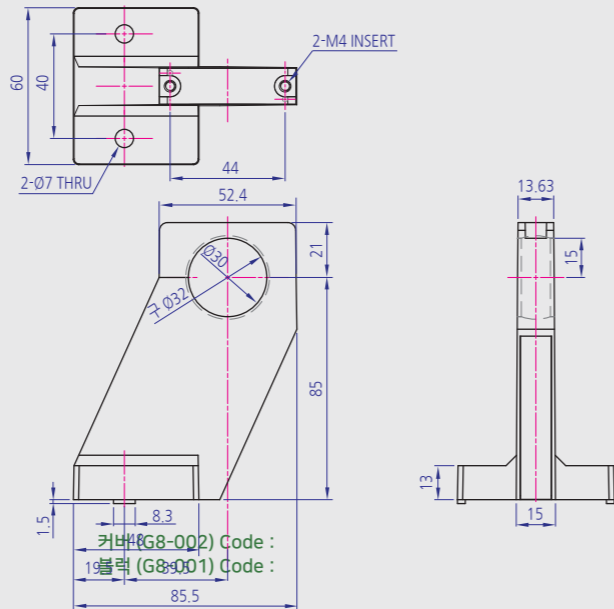
BEARING HOLDER - 사출
YKBH-85.5x60x106



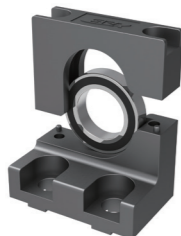
YKBH-MAB85-1CA
YKBH-MAB85-1BA

Technical data

- 대전 방지
- NATURAL
- 자동조심용(사출)
- MU002



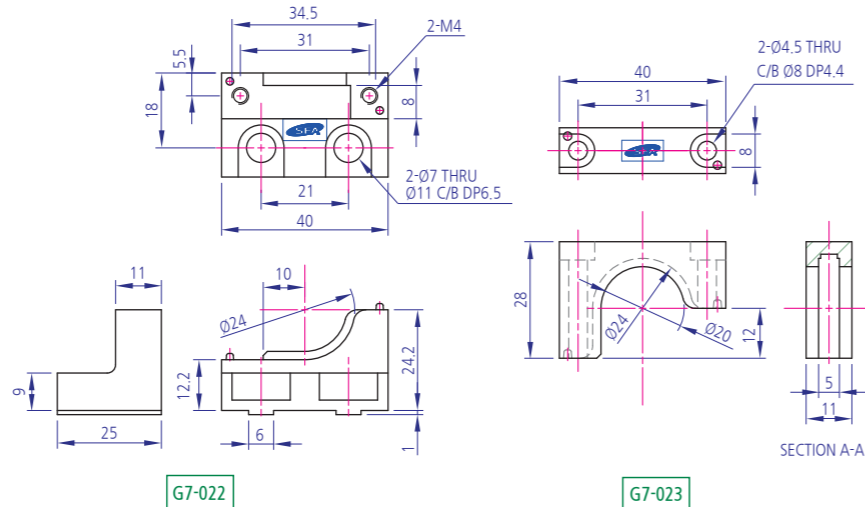
BEARING HOLDER - AL캐스팅
YKBH-40x25.2x25, 40x28x11



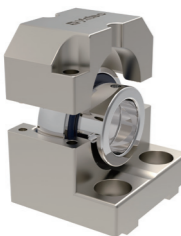
커버 Code : YKBH-DG7-023C
블럭 Code : YKBH-DG7-022B

Technical data

- ALDC 12
- 테프론코팅
- 베어링고정용(D/C)
- 6802



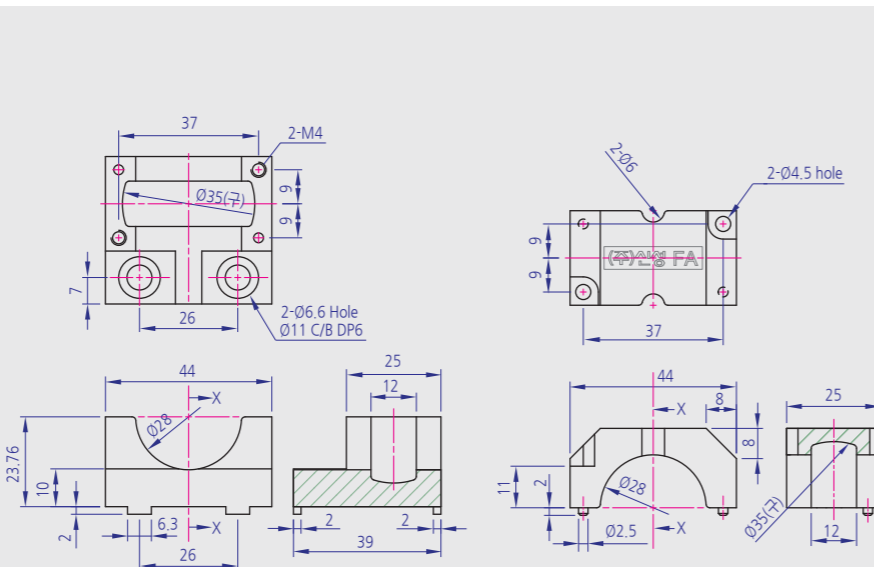
BEARING HOLDER - AL캐스팅
YKBH-44x39x44.76



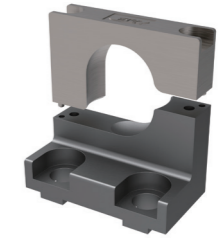
커버 Code : YKBH-DAB44CE
블럭 Code : YKBH-DAB44BE

Technical data

- ALDC 12
- 무전해니켈
- 베어링고정용
- MU003



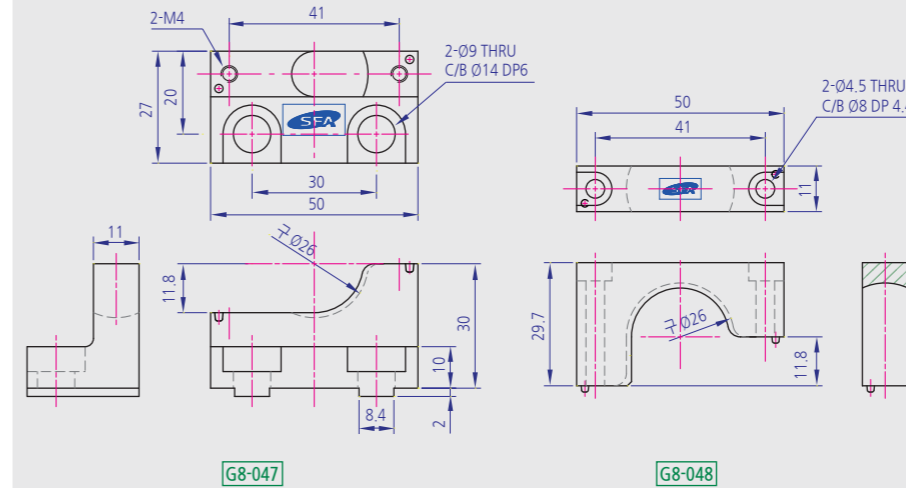
BEARING HOLDER - AL캐스팅
YKBH-50x32x27, 50x29.7x11



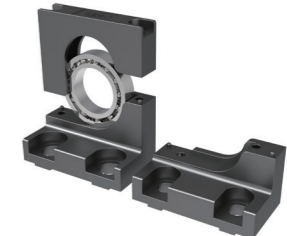
커버 Code : YKBH-MG8-048C
블럭 Code : YKBH-DG8-047BT

Technical data

- BLOCK-ALDC 12, COVER-PC ALLOY
- BLOCK-테프론코팅, COVER-NATURAL
- 베어링고정용
- MU000



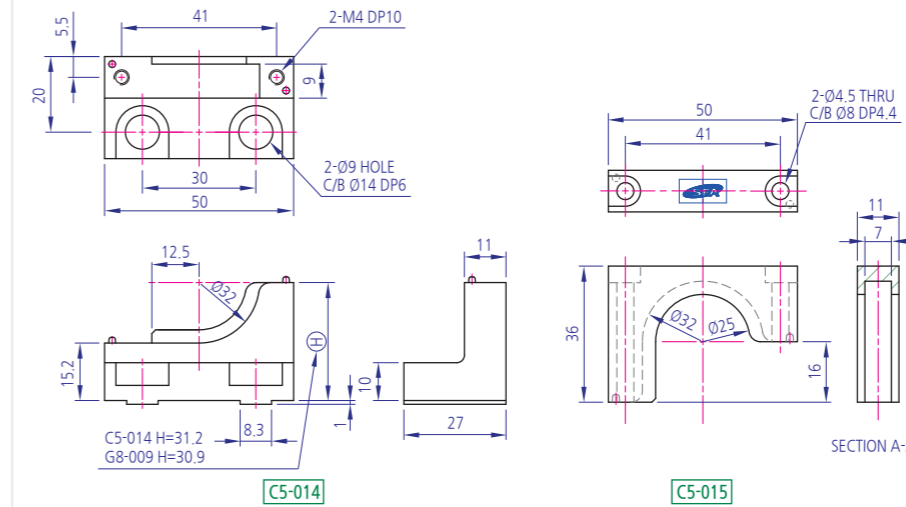
BEARING HOLDER - AL캐스팅
YKBH-50x31.2x27, 50x30.9x27, 50x36x11



커버 Code : YKBH-DC5-015
YKBH-DC5-014B

Technical data

- ALDC 12
- 테프론코팅
- 베어링고정용
- 6804
- Body의 Bearing 센터 높이가 30.9mm, 31.2mm 두종류입니다.



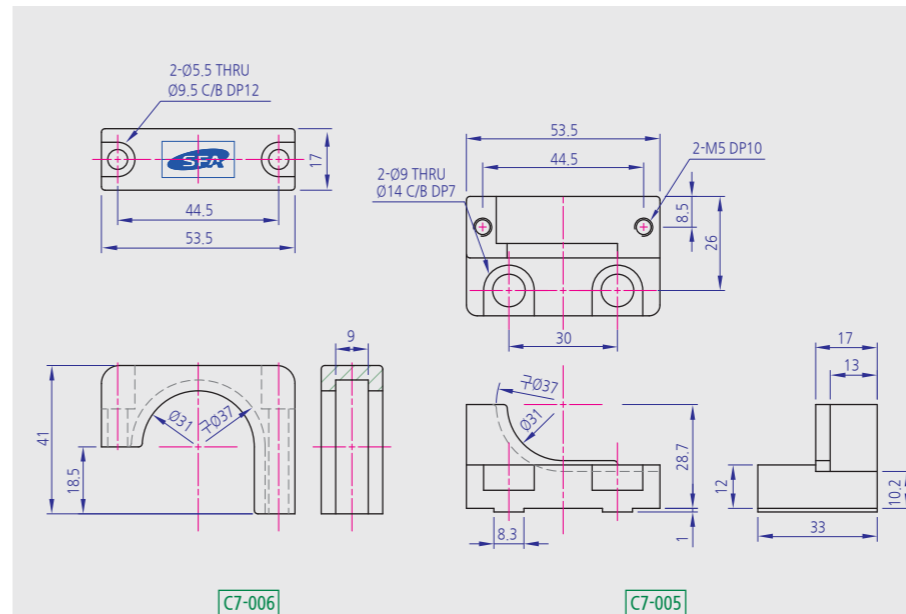
BEARING HOLDER - AL캐스팅
YKBH-53.5x33x29.7, 53.5x41x17



커버 Code : YKBH-DABC7-006C
블럭 Code : YKBH-DABC7-005B

Technical data

- ALDC 12
- 테프론코팅
- 베어링고정용(D/C)
- 6904



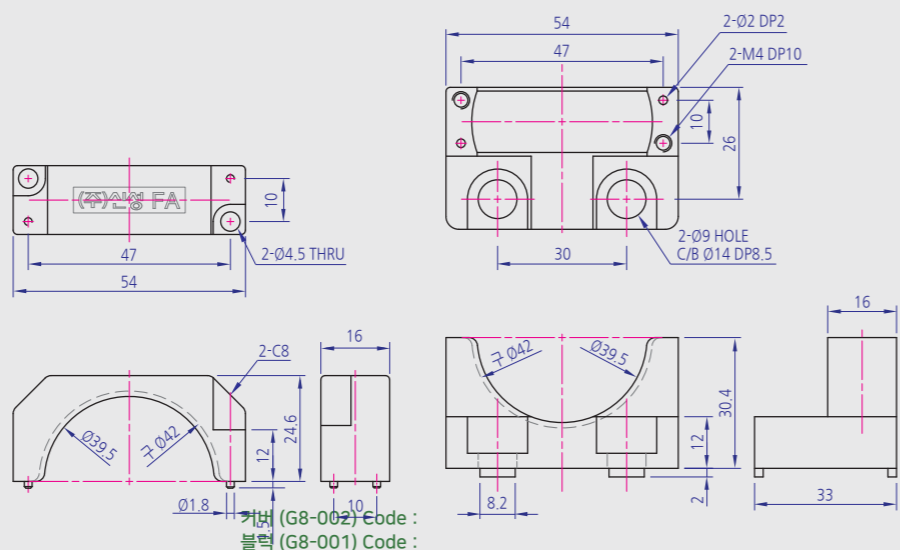
BEARING HOLDER - AL캐스팅
YKBH-54x33x55



YKBH-DAB54CAE
YKBH-DAB54BAE

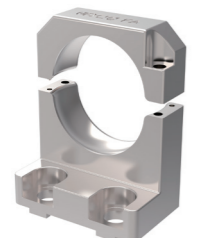
Technical data

- ALDC 12
- 무전해니켈
- 베어링고정용
- MU004



커버 (G8-002) Code :
블럭 (G8-001) Code :

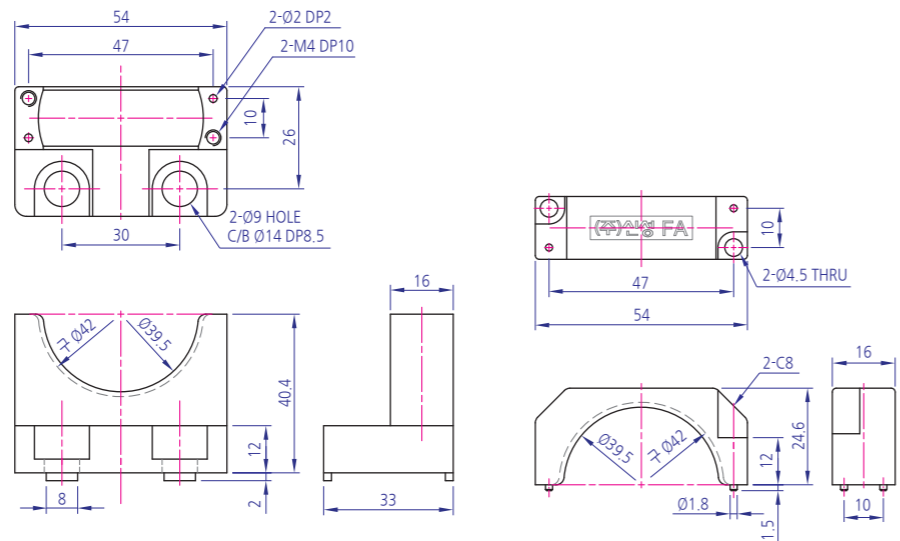
BERING HOLDER-AL 캐스팅
YKBH-54x33x65



커버 Code : YKBH-DAB54CE
블럭 Code : YKBH-DAB54BE

Technical data

- ALDC 12
- 무전해니켈
- 베어링고정용
- MU004



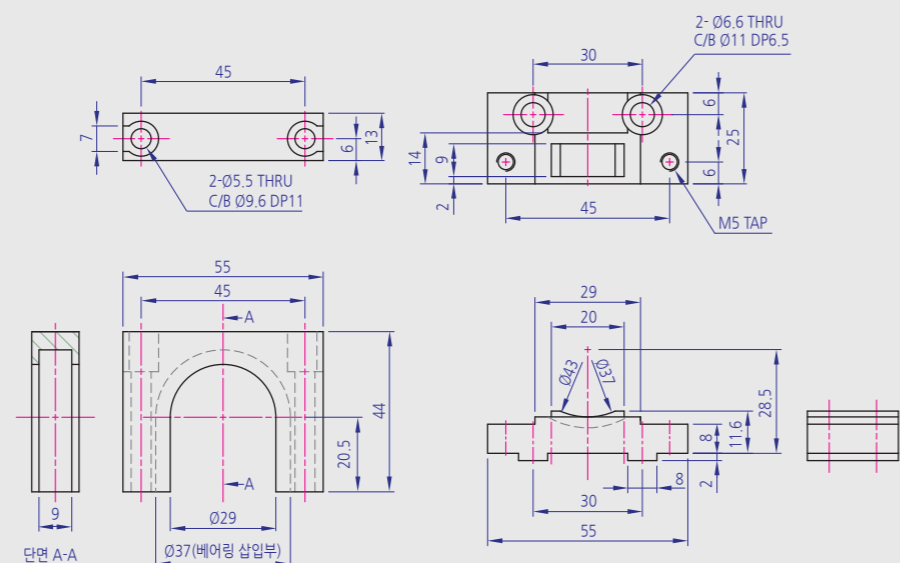
BERING HOLDER-AL 캐스팅
YKBH-55x54x25



커버 Code : YKBH-D55-1C
블럭 Code : YKBH-D55-1B

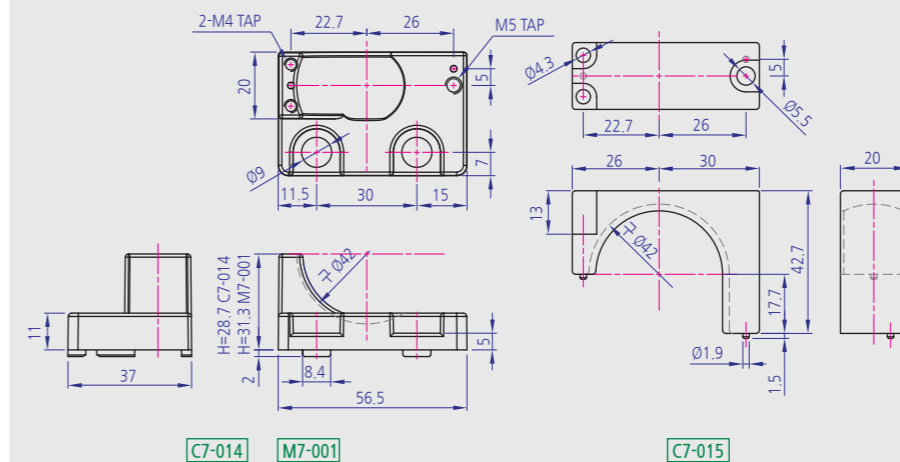
Technical data

- ALDC 12
- 액체도장(SILVER)
- 베어링고정용(D/C)
- 6904



단면 A-A

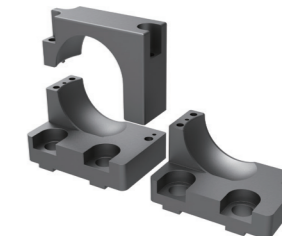
Ø37(베어링 삽입부)



C7-014 M7-001 C7-015

커버 (C7-015) Code : YKBH-DABC7-015C
블럭 (C7-014) Code : YKBH-DABC7-014B
블럭 (M7-001) Code : YKBH-DABM7-001B

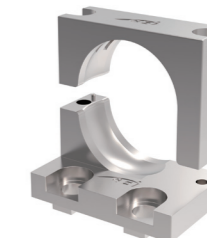
BEARING HOLDER - AL캐스팅
YKBH-56.5x37x30.7,
56.5x37x33.3, 56.5x42.7x20



Technical data

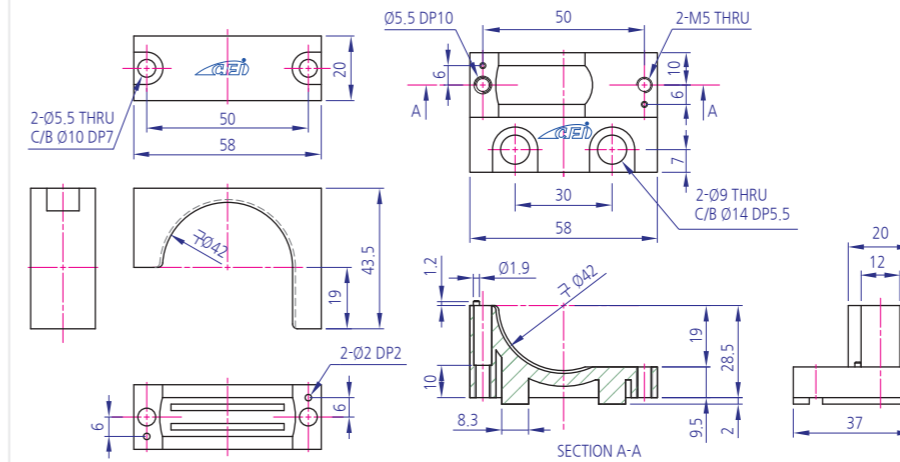
- ALDC 12
- 테프론코팅
- 베어링고정용(D/C)
- MU004
- Body의 Bearing 센터 높이가 28.7mm,
31.3mm 두종류입니다.

BERING HOLDER-AL 캐스팅
YKBH-58x37x53 L/R



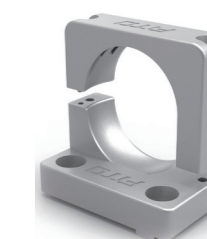
Technical data

- ALDC 12
- 테프론코팅
- 베어링고정용(D/C)
- MU004



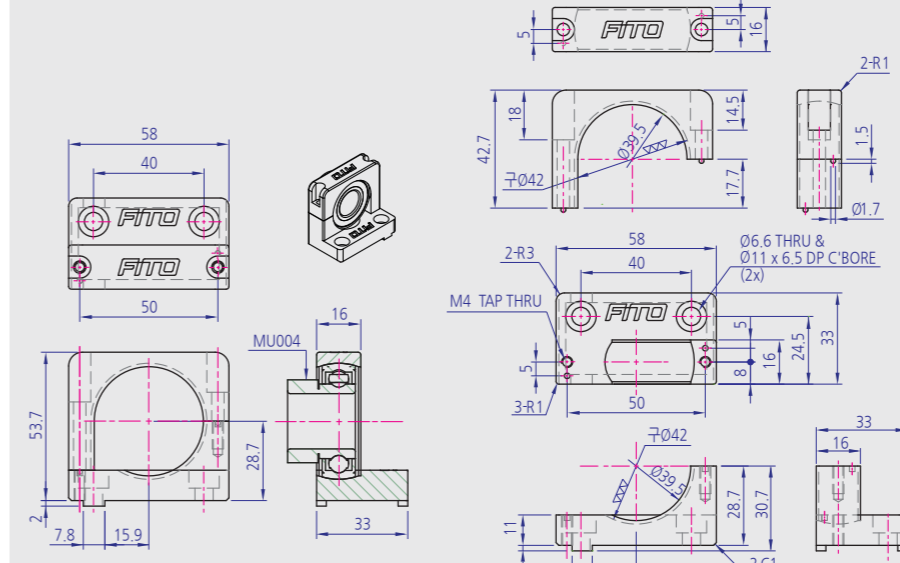
(L) 커버 Code : YKBH-DAB58CEL
블럭 Code : YKBH-DAB58BEL
(R) 커버 Code : YKBH-DAB58CER
블럭 Code : YKBH-DAB58BER

BEARING HOLDER - AL캐스팅
YKBH-D 58x55.7x33

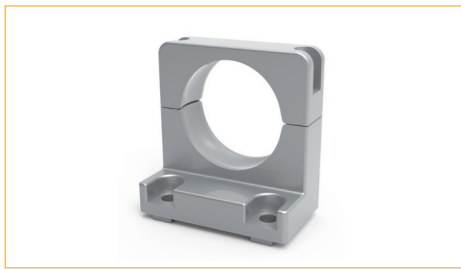


Technical data

- ALDC 12
- 액체도장(SILVER)
- 베어링고정용
- MU004



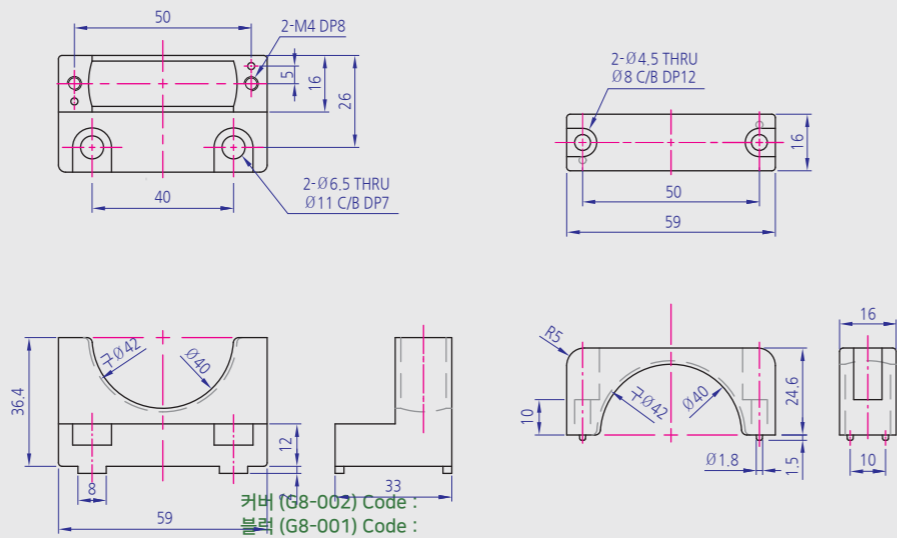
BEARING HOLDER - AL캐스팅
YKBH-D-59x61x33



YKBH-D59-1CS
YKBH-D59-1BS

Technical data

- ALDC 12
- SILVER
- 베어링고정용(D/C)
- MU004



커버 (G8-002) Code :
블럭 (G8-001) Code :

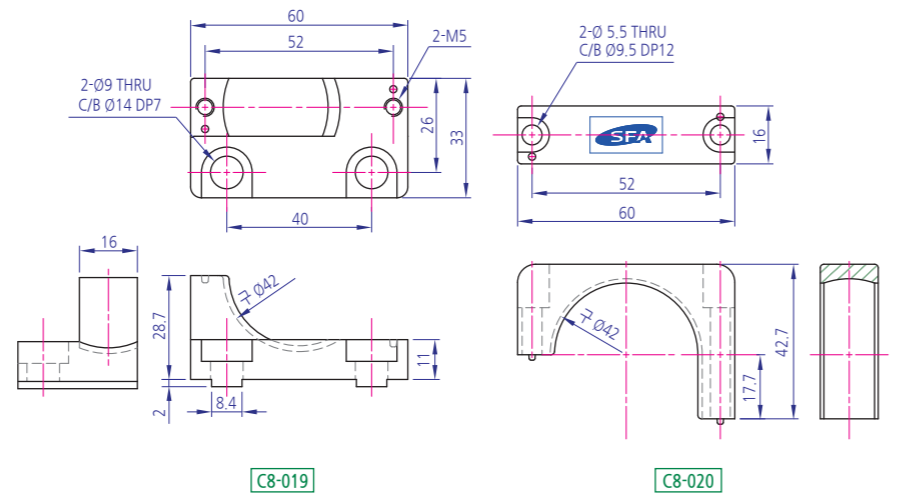
BEARING HOLDER - AL캐스팅
YKBH-60x33x30.7, 60x42.7x16



커버 Code : YKBH-DC8-020C
블럭 Code : YKBH-DC8-069BS

Technical data

- ALDC 12
- 테프론코팅
- 베어링고정용(D/C)
- MU004
- Body의 Bearing 센터 높이가 30.9mm, 31.2mm 두종류입니다.



C8-019

C8-020

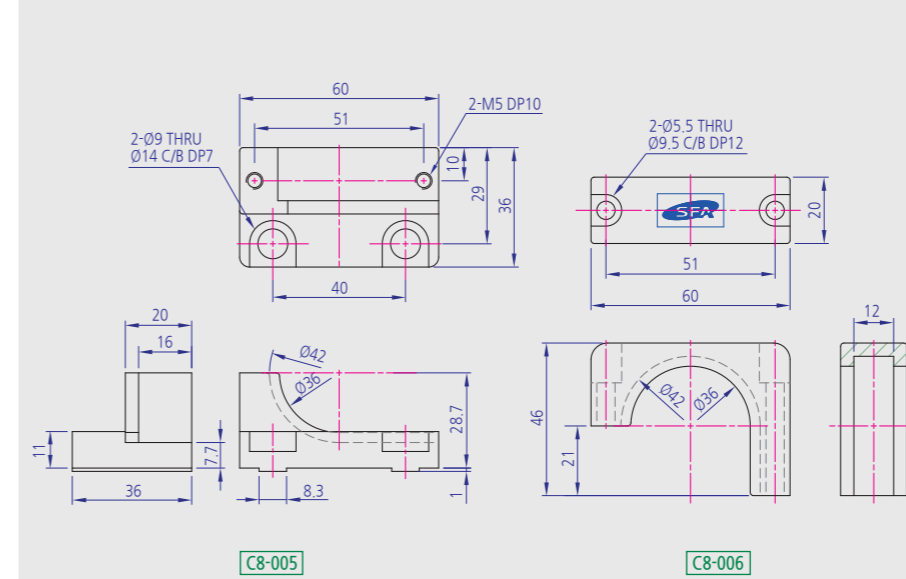
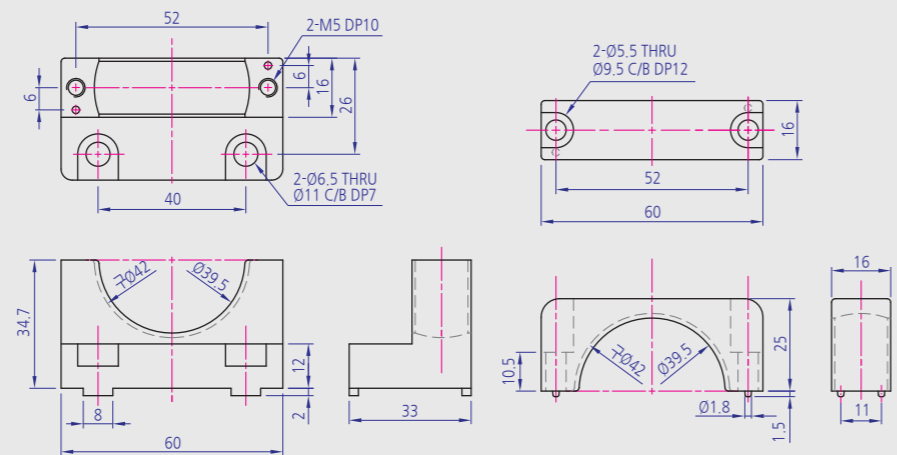
BEARING HOLDER - AL캐스팅
YKBH-60x33x59.7



커버 Code : YKBH-DAB60CE
블럭 Code : YKBH-DAB60BAE

Technical data

- ALDC 12
- 무전해니켈
- 베어링고정용
- MU004



C8-005

C8-006

BEARING HOLDER - AL캐스팅
YKBH-60x36x28.7, 60x46x20

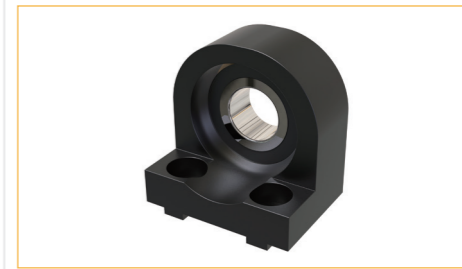


커버 Code : YKBH-DC8-006C
블럭 Code : YKBH-DC8-005B

Technical data

- ALDC 12
- 테프론코팅
- 베어링고정용(D/C)
- 6004

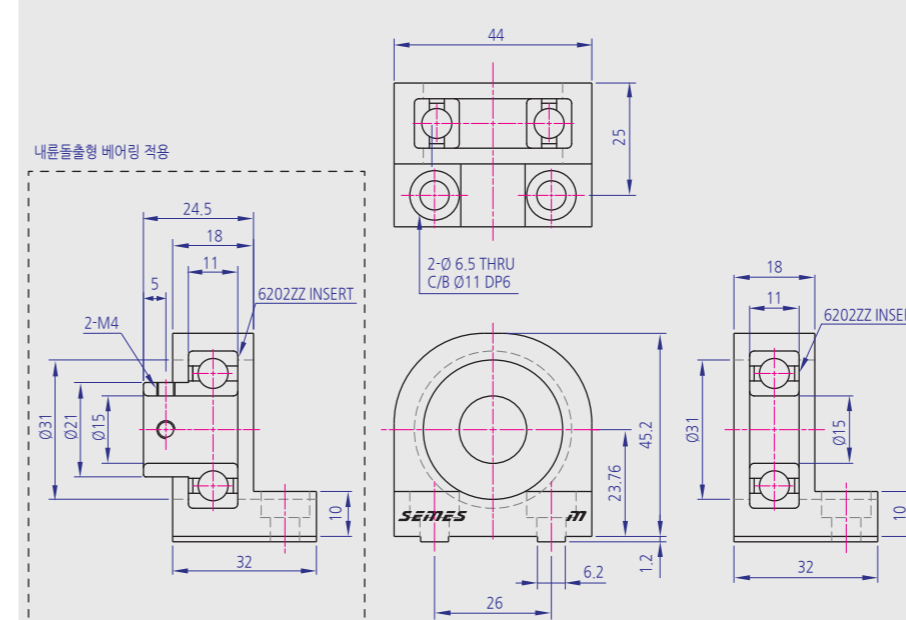
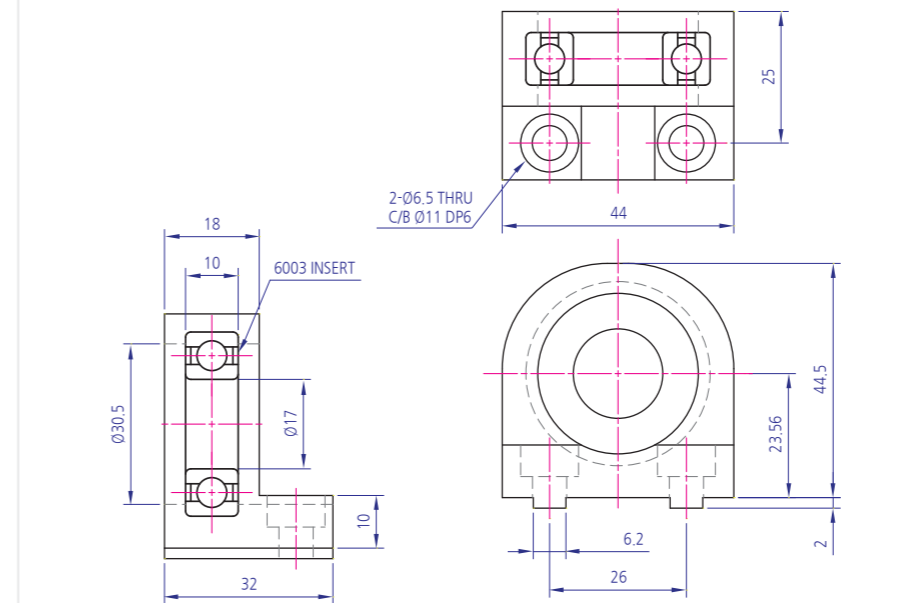
BEARING HOLDER - 사출
YKBH-44x44.5x32



Code : YKBH-MIB44-1

Technical data

- NYLON GLASS
- NATURAL
- 베어링삽입용
- 6003



BEARING HOLDER - 사출
YKBH-44x45.2x32

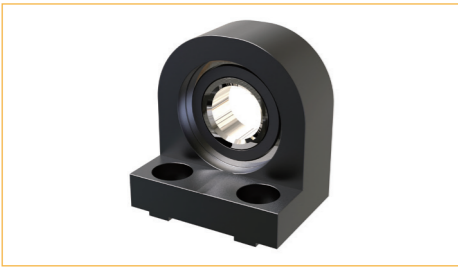


Code : YKBH-MIB44-2

Technical data

- NYLON GLASS
- NATURAL
- 베어링삽입용
- 6202ZZ

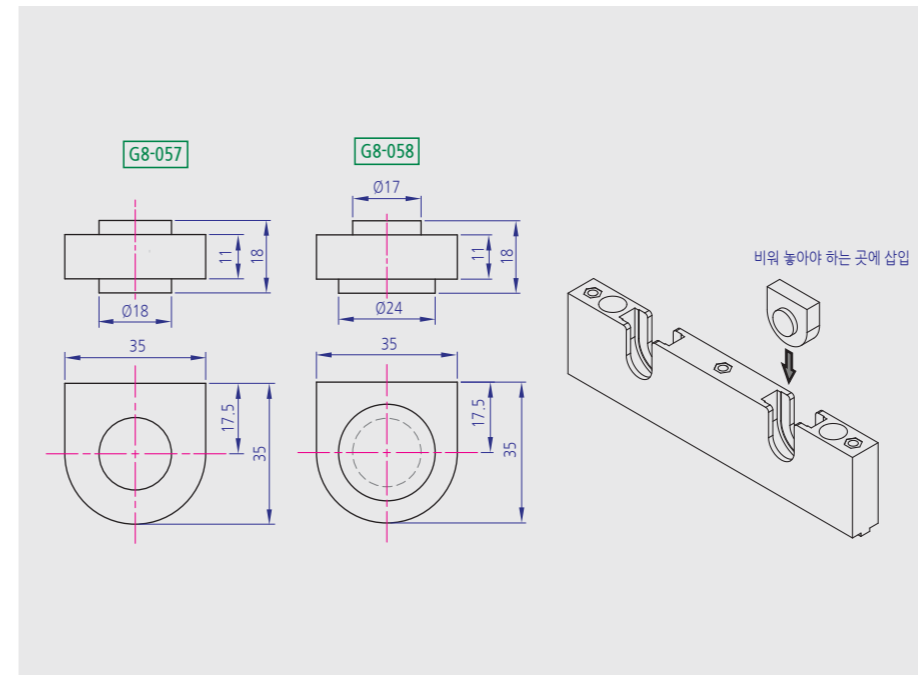
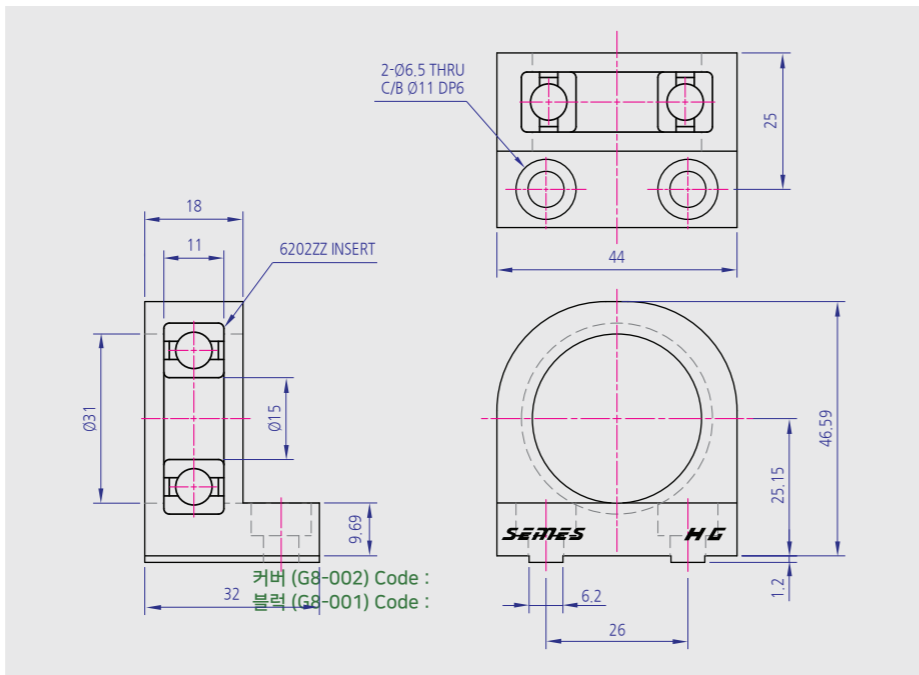
NYLON GLASS
YKBH-44x46.6x32



Code : YKBH-MIB44-3-4

Technical data

- NYLON GLASS
- NATURAL
- 베어링삽입용
- 6202ZZ



BEARING HOLDER CAP
YKEC 35x18x35(Ø17), 35x18x35(Ø18)

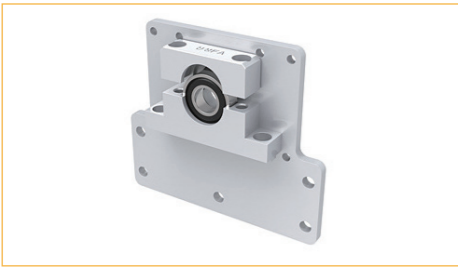


Ø17 Code : YKEC-PBH3518A
Ø18 Code : YKEC-PBH3518

Technical data

- PC ALLOY
- NATURAL
- 베어링 대체 캡

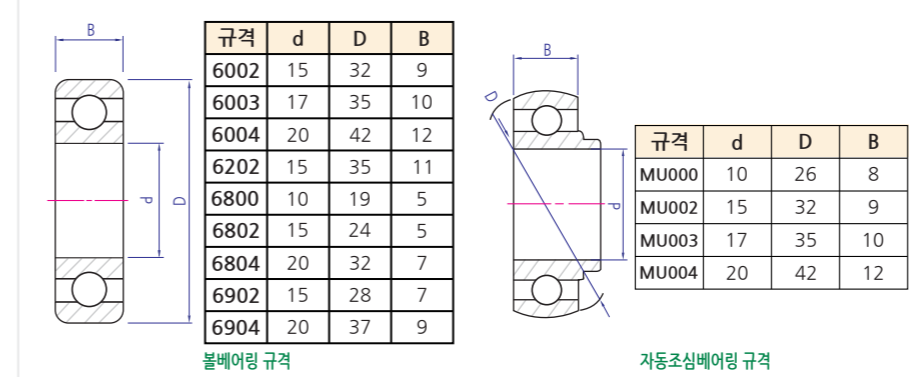
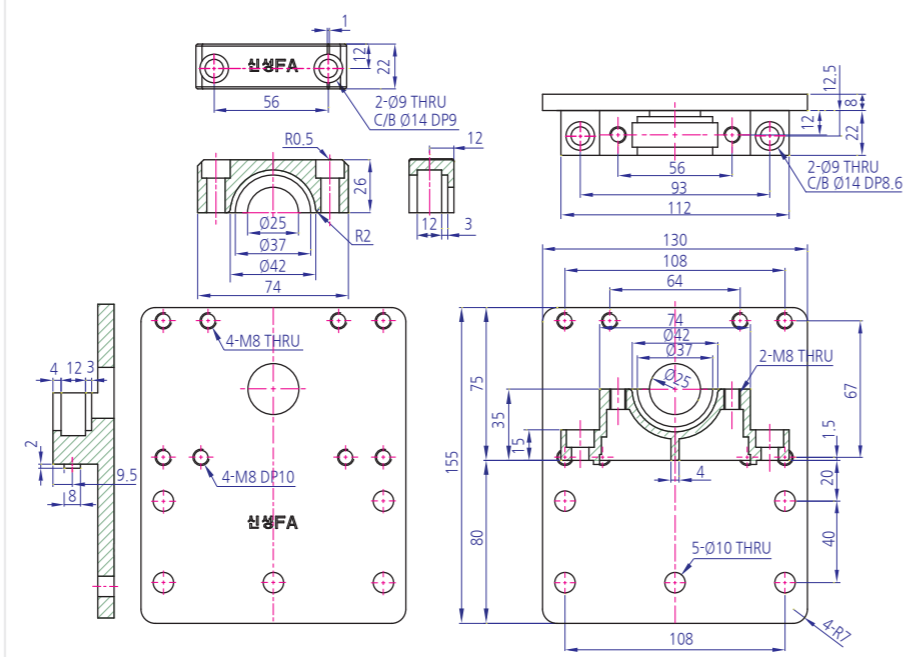
BEARING HOLDER-AL캐스팅
YKBH-D 180x158x30



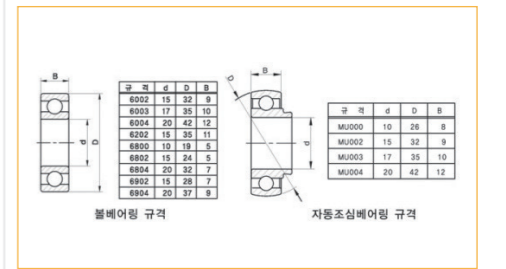
커버 Code : YKBH-D180-1CS
블럭 Code : YKBH-D180-1BS

Technical data

- ALDC 12
- 액체도장(SILVER)
- BEARING고정용, SHAFT막음형
- 6004



볼베어링 규격
볼베어링 규격



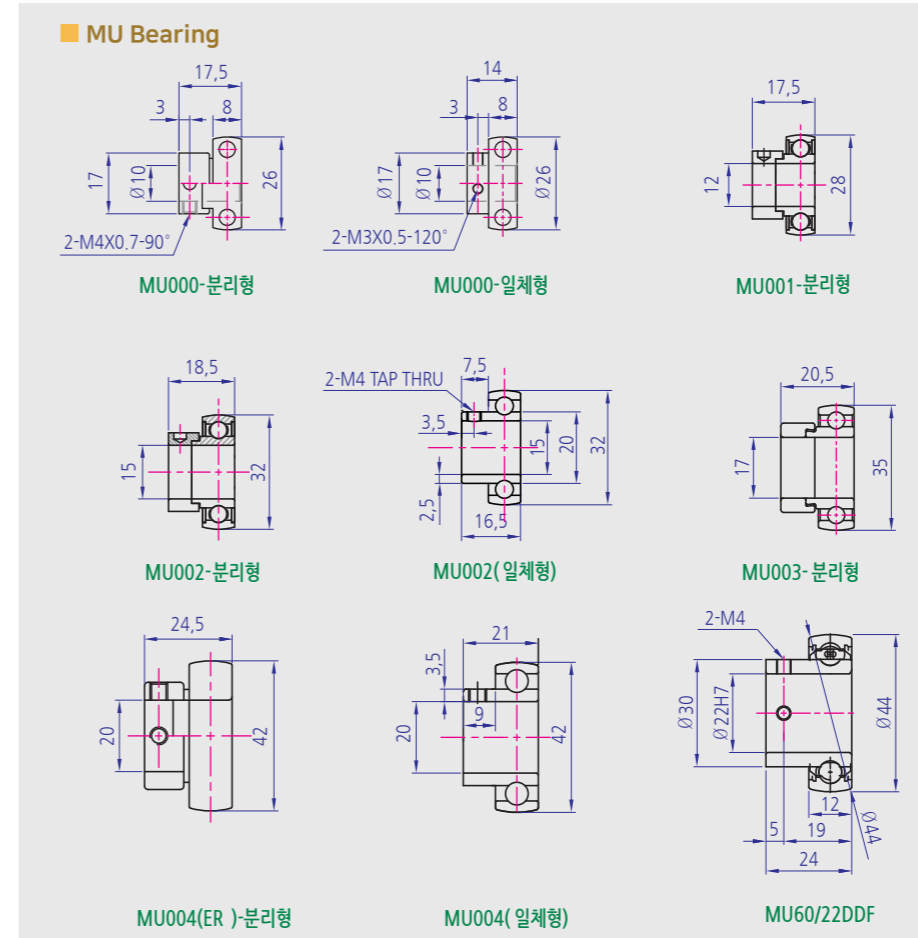
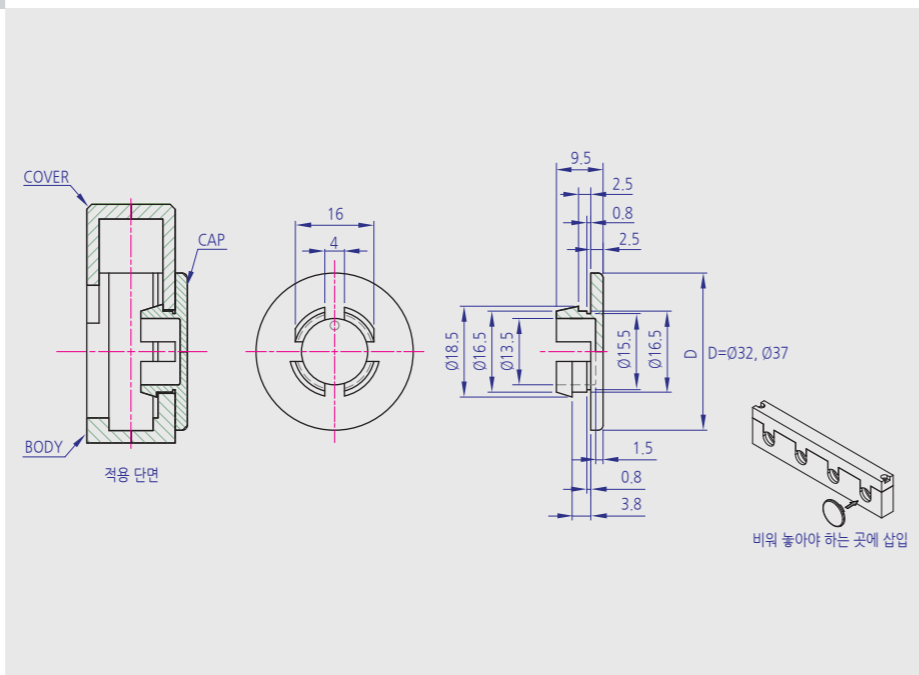
BEARING HOLDER CAP
YKBH-EC32x9.5, 37x9.5



Ø32x9.5 Code : YKEC-PBH329W
Ø37x9.5 Code : YKEC-PBH379W

Technical data

- POM
- WHITE(백)
- 베어링 대체 캡



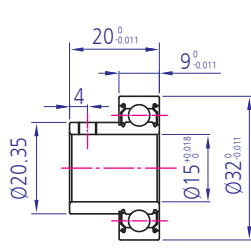
BEARING BEARING



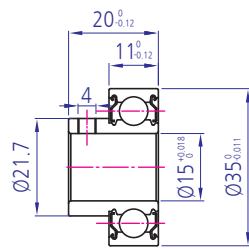
Technical data

- 스테인레스 스틸, 탄소강
- ZZ
- 강철 감 금 소, 유리섬유 강화 나일론6
- 다양

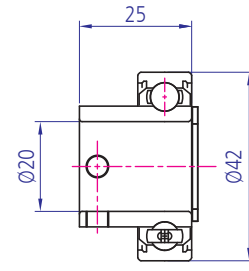
■ SUR Bearing



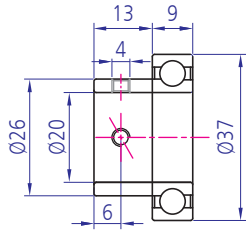
SUR6002ZZ-F



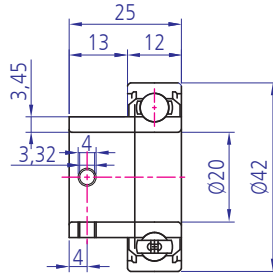
SUR6202ZZ-F



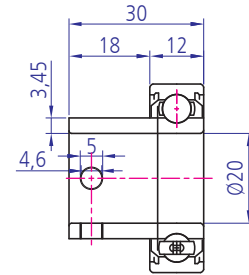
SUR6004ZZF



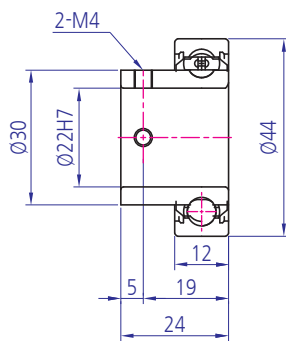
YKBH(베어링) 6904ZZF(SUS)



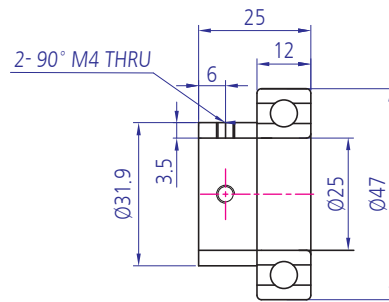
YKBH(베어링) SUR6004Z



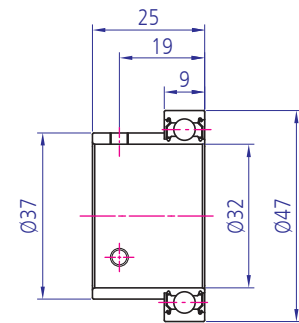
YKBH(베어링) VMC6004-LS



SUR60/22DDF

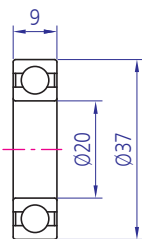


SUR6005ZZF

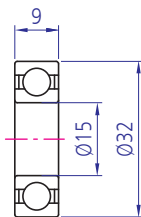


SUR6906ZZ-F

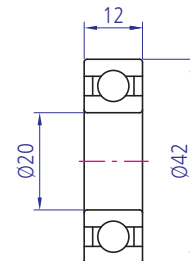
■ Bearing



YKBH(베어링) 6904ZZ(SUS)



6002ZZ



6004ZZ

Roller
 Bearing Holder
 Motor Base
 Bracket
 MultiBlock
 Joint
 Hinge
 Magnet
 Handle
 Foot Base
 방진구
 Levelling Foot
 Cover
 End Cap
 Bolt
 Nut
 Washer
 Special
 Profile
 Caster